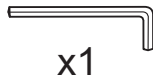
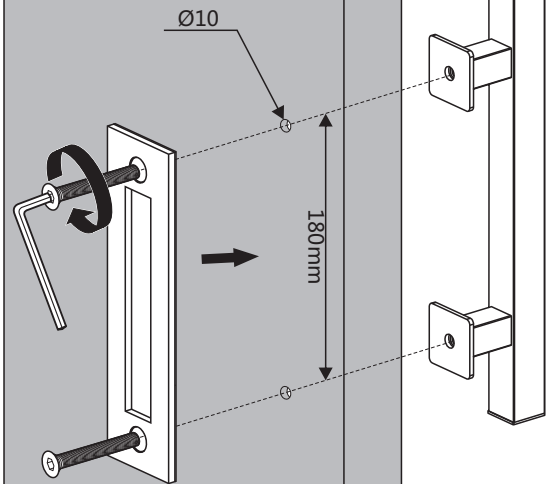


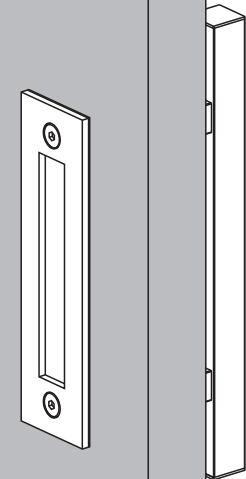
(x1)



1



2



$\frac{3}{32}'' - 1 \frac{3}{4}''$
(35mm-45mm)