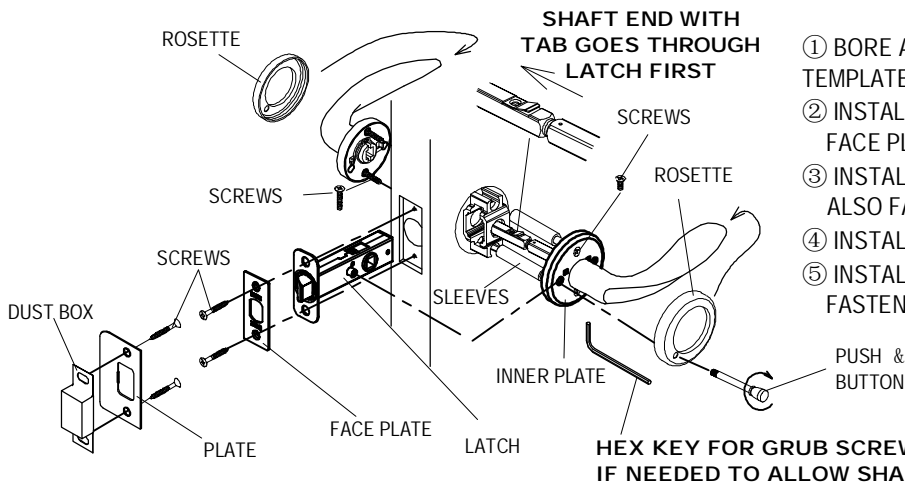
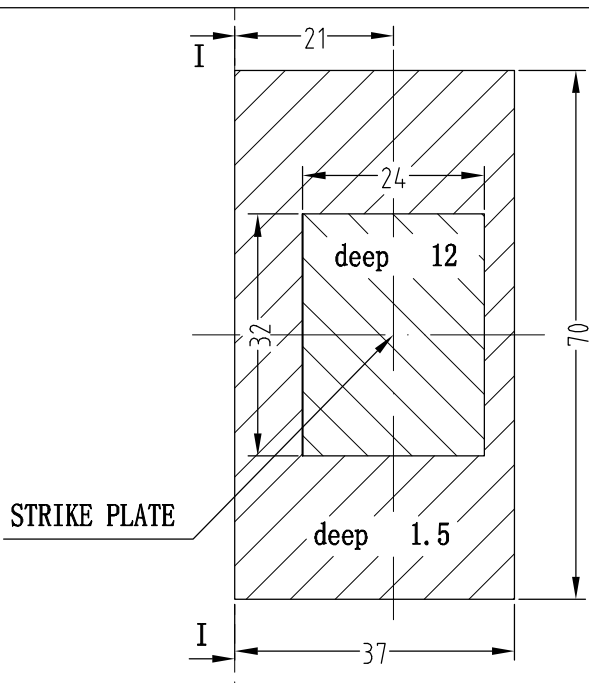


INSTALLATION INSTRUCTIONS FOR PRIVACY SET (65mm Dia Base Plate)

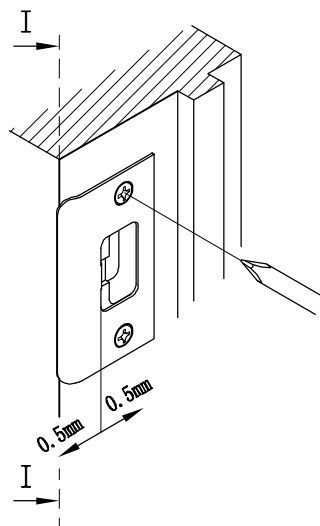


- ① BORE ALL HOLES ACCORDING TO THE TEMPLATE.
- ② INSTALL LATCH AND FASTEN SCREWS FOR FACE PLATE.
- ③ INSTALL INSIDE & OUTSIDE HANDLES, AND ALSO FASTEN ALL SCREWS FOR INNER PLATE.
- ④ INSTALL ROSETTE & PUSH BUTTON
- ⑤ INSTALL STRIKE & DUST BOX, AND ALSO FASTEN SCREWS FOR STRIKE.

HEX KEY FOR GRUB SCREW LOOSEN GRUB SCREW IF NEEDED TO ALLOW SHAFT TO GO THROUGH

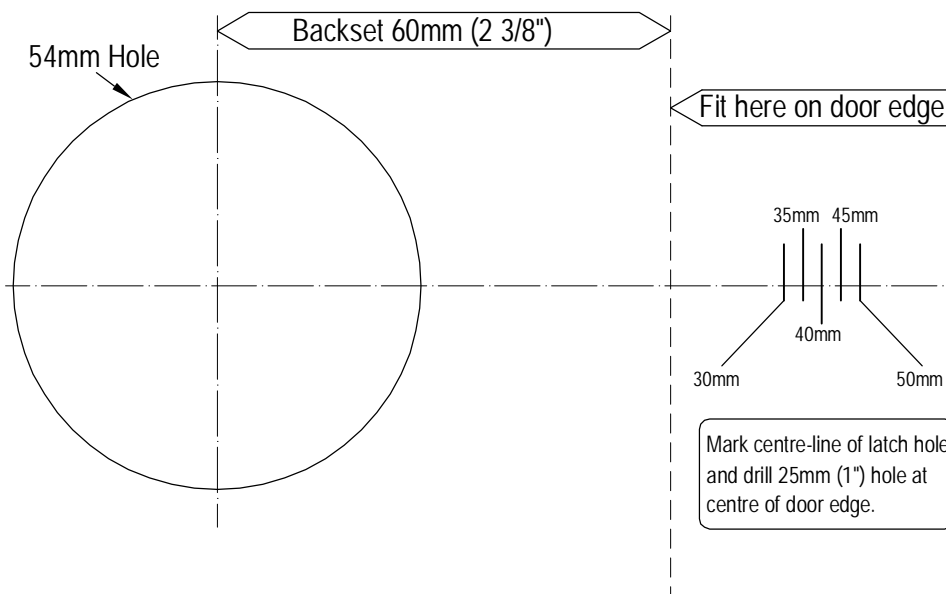


Installation and adjustment of dust box

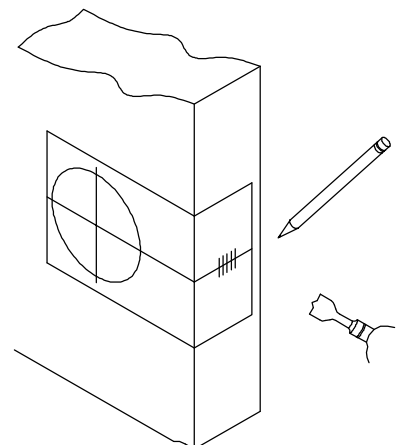


- ① Carefully swing door to closed position. Mark exact center point where latch meets the doorframe.
- ② Determine door thickness. Use template to mark correct center points for door thickness.
- ③ Align template chisel guide into doorframe with utility knife.
- ④ Secure dust box and strikeplate into position with screws.

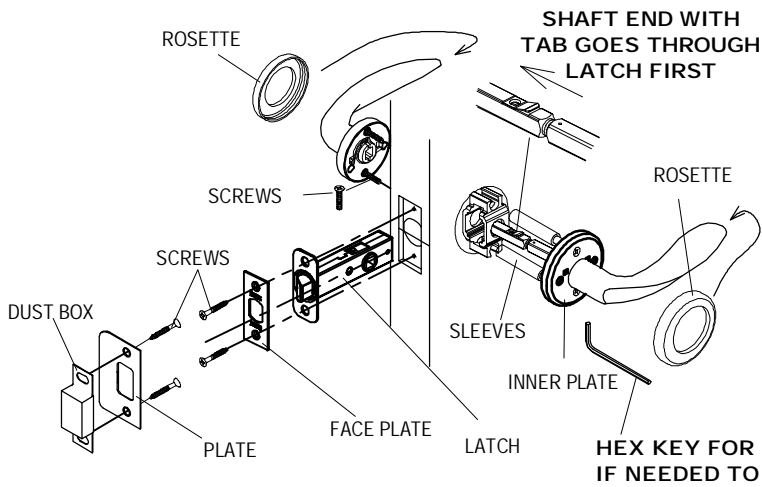
Installation Template for Privacy Applications Fits doors 30mm to 50mm thick



Determine Application

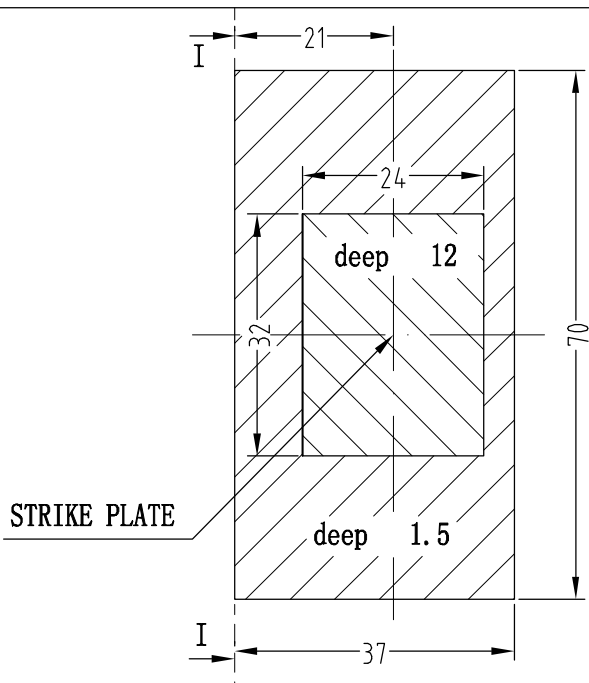


INSTALLATION INSTRUCTIONS FOR PASSAGE SET (65mm Dia Base Plate)

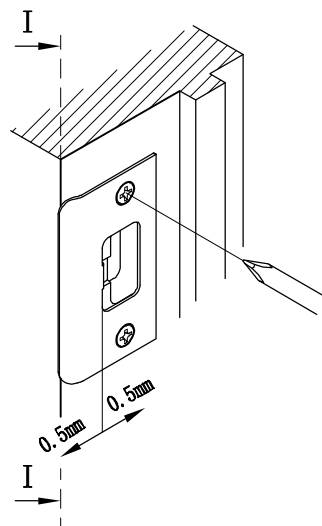


- ① BORE ALL HOLES ACCORDING TO THE TEMPLATE.
- ② INSTALL LATCH AND FASTEN SCREWS FOR FACE PLATE.
- ③ INSTALL INSIDE & OUTSIDE HANDLES, AND ALSO FASTEN ALL SCREWS FOR INNER PLATE.
- ④ INSTALL ROSETTE
- ⑤ INSTALL STRIKE & DUST BOX, AND ALSO FASTEN SCREWS FOR STRIKE.

HEX KEY FOR GRUB SCREW LOOSEN GRUB SCREW IF NEEDED TO ALLOW SHAFT TO GO THROUGH

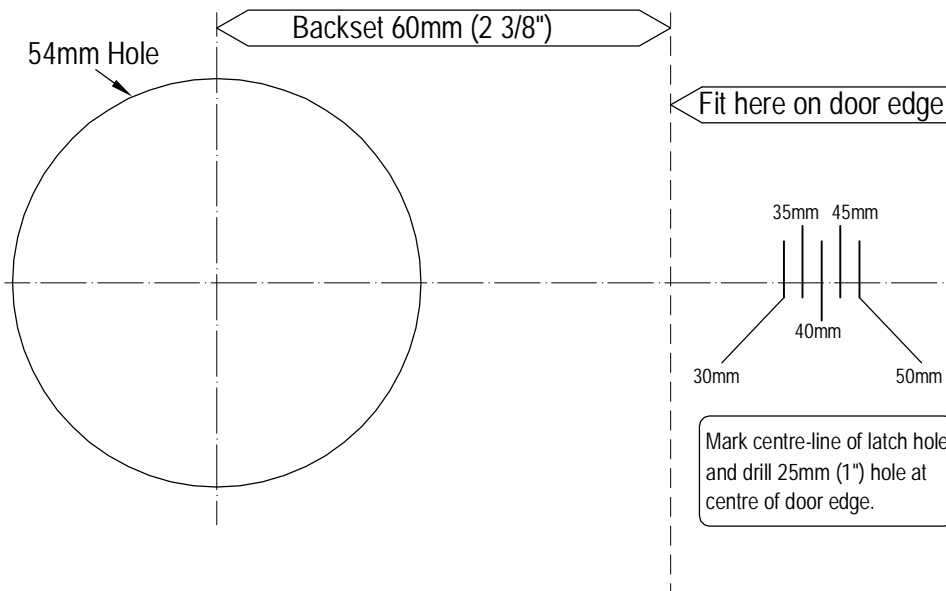


Installation and adjustment of dust box

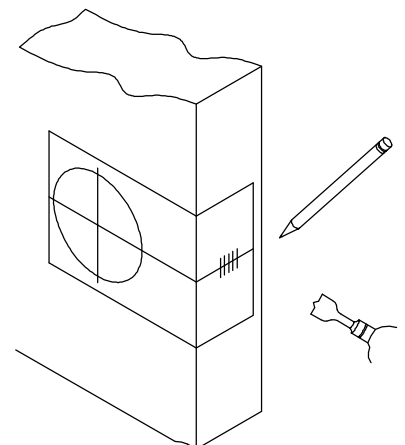


- ① Carefully swing door to closed position. Mark exact center point where latch meets the doorframe.
- ② Determine door thickness. Use template to mark correct center points for door thickness.
- ③ Align template chisel guide into doorframe with utility knife.
- ④ Secure dust box and strikeplate into position with screws.

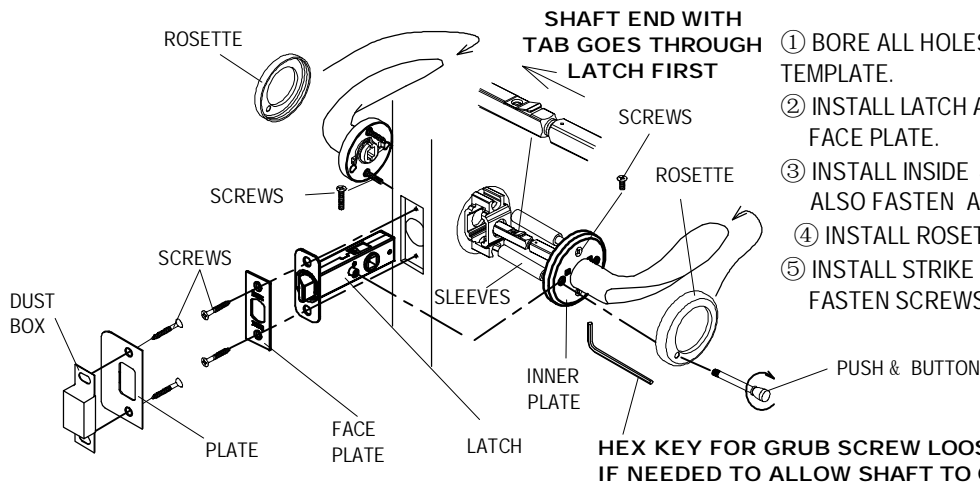
Installation Template for Passage Applications Fits doors 30mm to 50mm thick



Determine Application

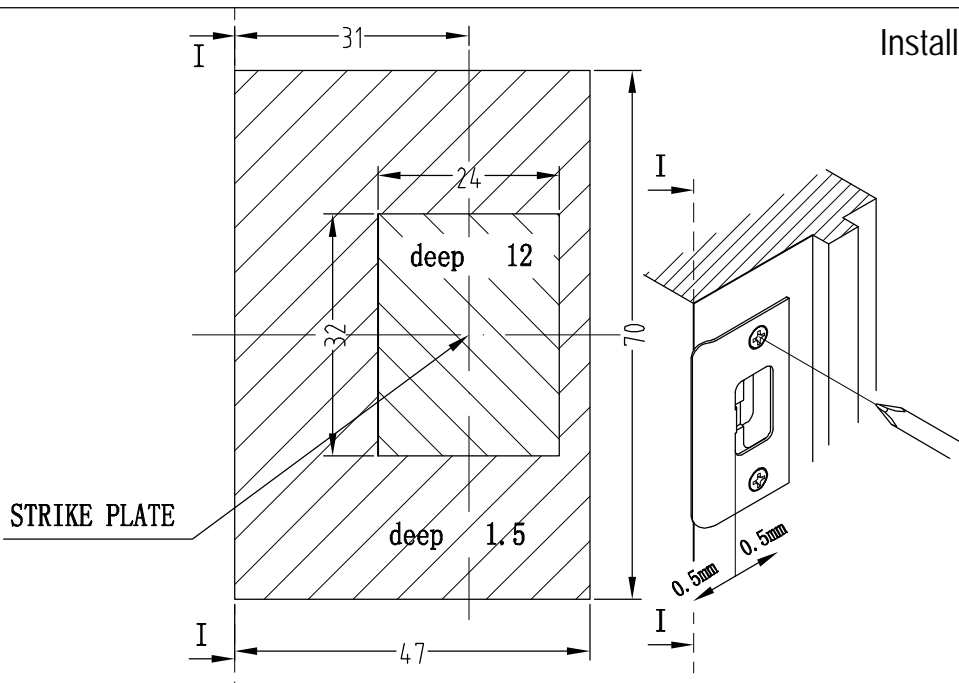


INSTALLATION INSTRUCTIONS FOR PRIVACY SET (65mm Dia Base Plate)



- ① BORE ALL HOLES ACCORDING TO THE TEMPLATE.
- ② INSTALL LATCH AND FASTEN SCREWS FOR FACE PLATE.
- ③ INSTALL INSIDE & OUTSIDE HANDLES, AND ALSO FASTEN ALL SCREWS FOR INNER PLATE.
- ④ INSTALL ROSETTE & PUSH BUTTON
- ⑤ INSTALL STRIKE & DUST BOX, AND ALSO FASTEN SCREWS FOR STRIKE.

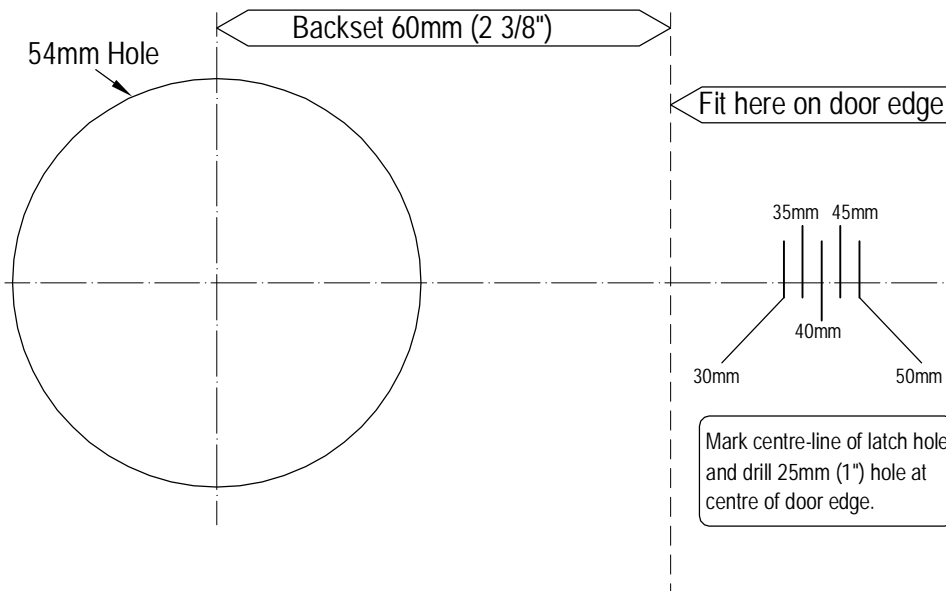
HEX KEY FOR GRUB SCREW LOOSEN GRUB SCREW IF NEEDED TO ALLOW SHAFT TO GO THROUGH



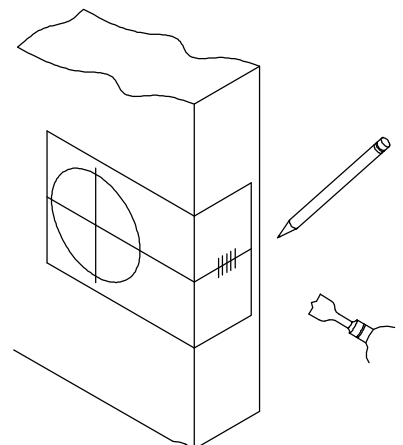
Installation and adjustment of dust box

- ① Carefully swing door to closed position. Mark exact center point where latch meets the doorframe.
- ② Determine door thickness. Use template to mark correct center points for door thickness.
- ③ Align template chisel guide into doorframe with utility knife.
- ④ Secure dust box and strikeplate into position with screws.

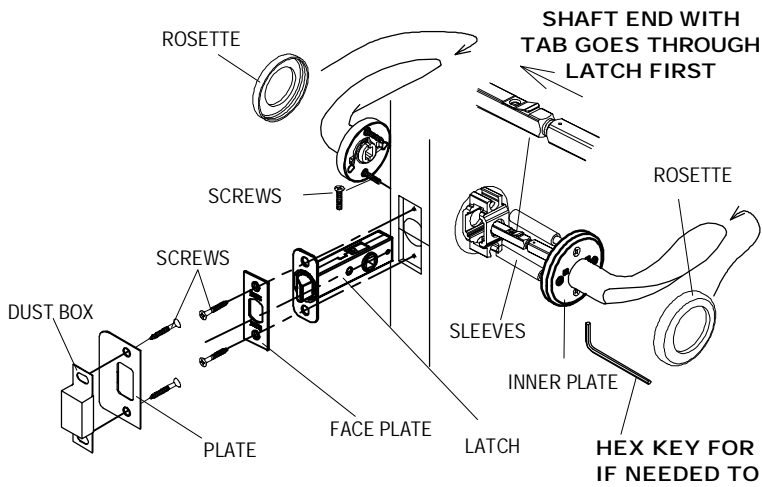
Installation Template for Privacy Applications Fits doors 30mm to 50mm thick



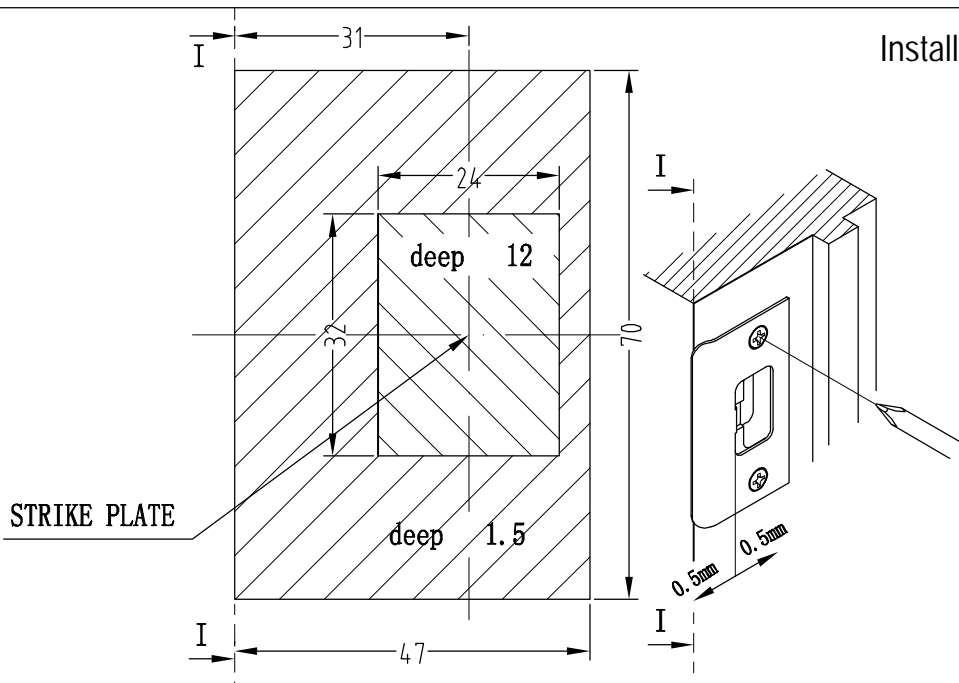
Determine Application



INSTALLATION INSTRUCTIONS FOR PASSAGE SET (65mm Dia Base Plate)



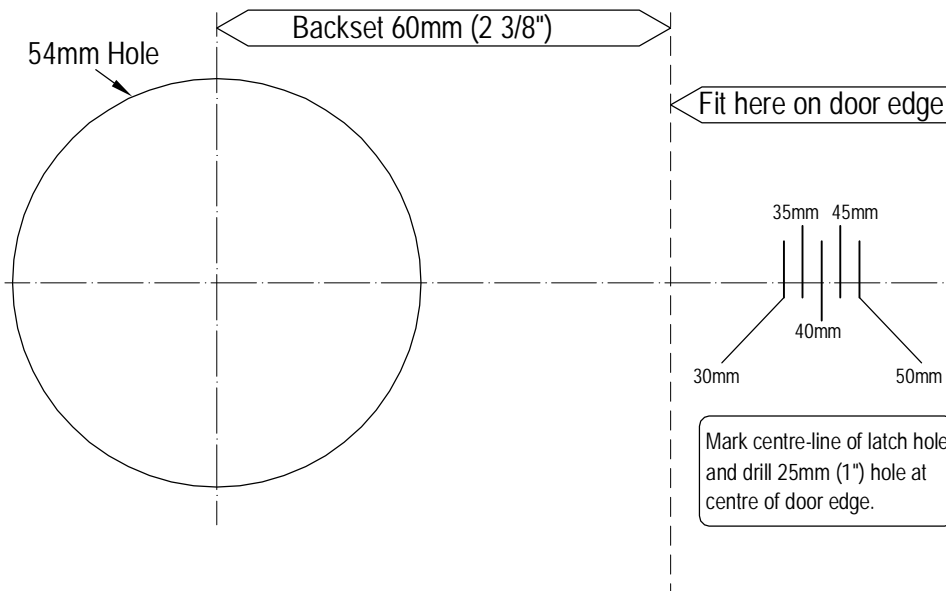
- ① BORE ALL HOLES ACCORDING TO THE TEMPLATE.
- ② INSTALL LATCH AND FASTEN SCREWS FOR FACE PLATE.
- ③ INSTALL INSIDE & OUTSIDE HANDLES, AND ALSO FASTEN ALL SCREWS FOR INNER PLATE.
- ④ INSTALL ROSETTE
- ⑤ INSTALL STRIKE & DUST BOX, AND ALSO FASTEN SCREWS FOR STRIKE.



Installation and adjustment of dust box

- ① Carefully swing door to closed position. Mark exact center point where latch meets the doorframe.
- ② Determine door thickness. Use template to mark correct center points for door thickness.
- ③ Align template chisel guide into doorframe with utility knife.
- ④ Secure dust box and strikeplate into position with screws.

Installation Template for Passage Applications Fits doors 30mm to 50mm thick



Determine Application

