

# LEVER HANDLES

## INSTALLATION INSTRUCTIONS

### DUMMY



Regularly clean handles using a microfibre cloth and warm water.

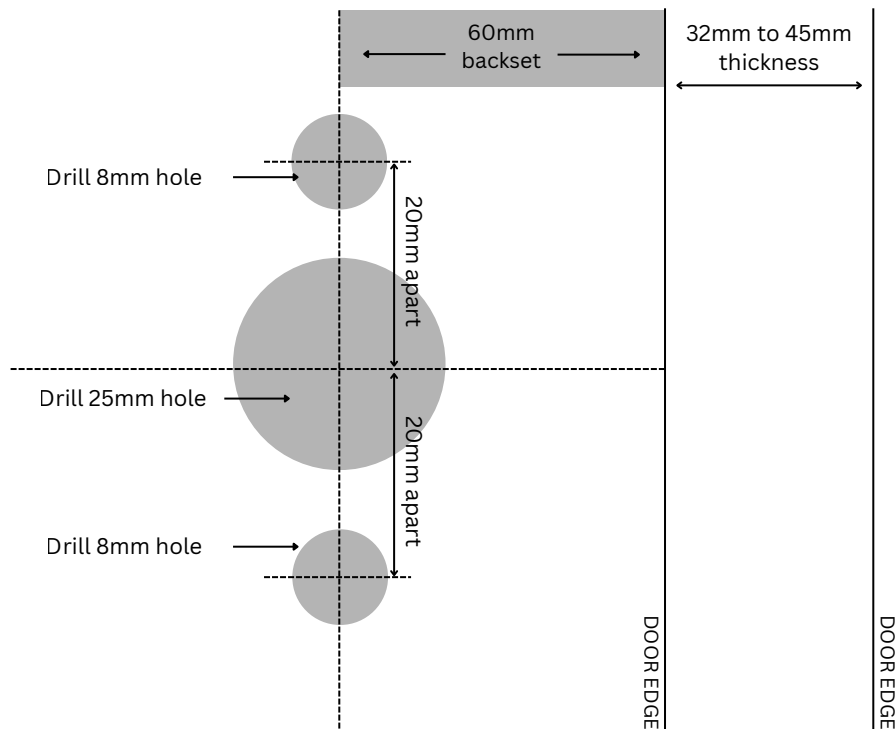


Avoid using abrasive cleaners, as they can damage the product's coating.

### Installation Cut-Out Guide

Please note:

1. Diagram is not to scale
2. This lever will fit 32mm to 45mm door thicknesses
3. Handle height recommended is 900-1000mm from floor to center of drill hole



#### Disclaimer:

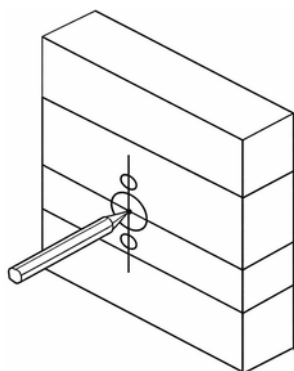
This handle must be installed by a licensed and qualified tradesperson. Improper installation may result in damage to the product or surrounding materials and may affect functionality.

Please note that various factors—including door type, thickness, alignment, environmental conditions, and compatibility with existing hardware—can impact the suitability and performance of this handle. It is the responsibility of the installer to assess these factors prior to installation.

We do not accept liability for issues arising from incorrect installation, misuse, or circumstances beyond our control.



1

- Use the template as a guide (not to scale) to mark the centre points for all three holes.
- Pilot drill each hole.
- Drill a 25mm hole through the door at the centre point.
- Then drill two 8mm holes—one above and one below the 25mm hole.



2

- Measure door thickness and select correct mounting screws as per table below.

DOOR THICKNESS	MOUNTING SCREW LENGTH
38-45MM	M4 - 35MM LONG 
32-38MM	M4 - 25MM LONG 

3

- Position the lever on the outside of the door, ensuring the handle faces towards the hinges.
- If required, slightly loosen the hex screw on the lever to allow the mounting plate to sit flush against the door surface.
- Insert the selected mounting screws (from the previous step) through the top and bottom holes of the mounting plate, then tighten them securely into the handle.

