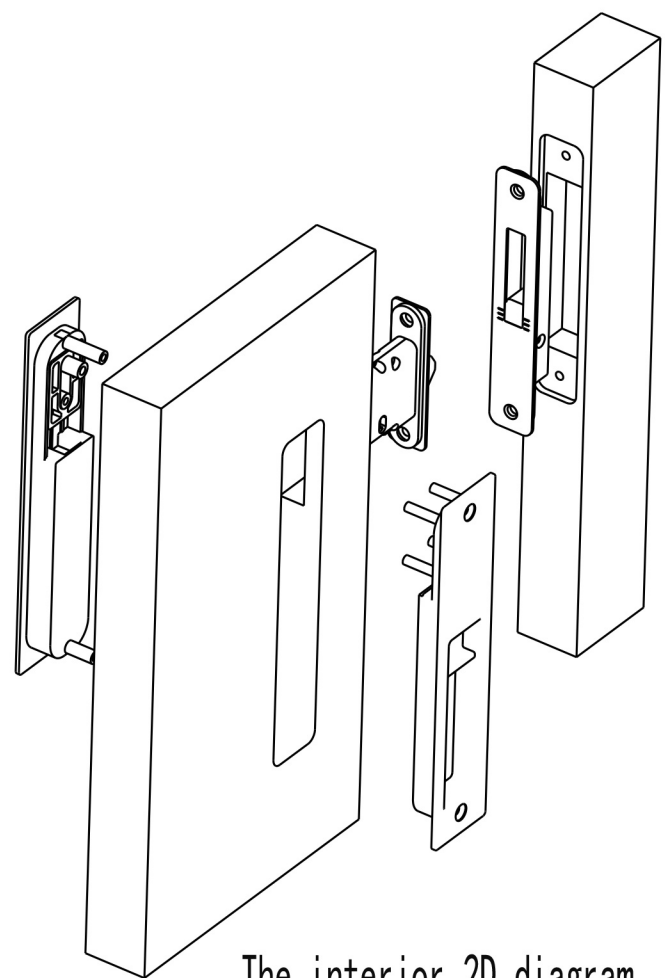
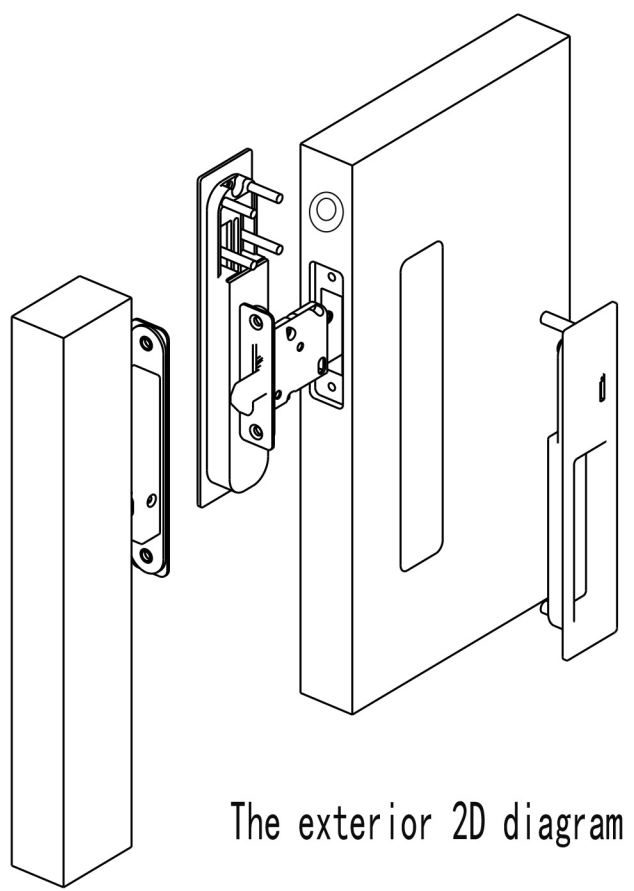


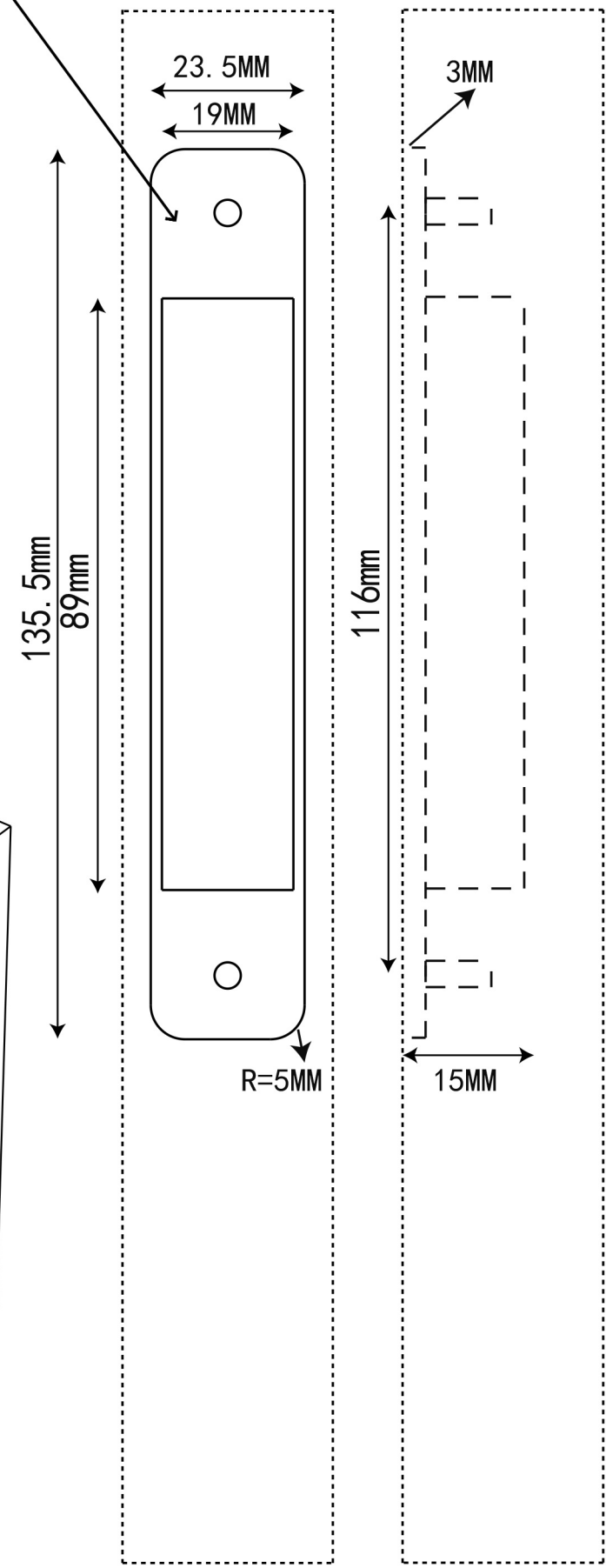
UP

Sliding door lock installation instructions

KA180*38 #51Lock mechanism cut out(1: 1)

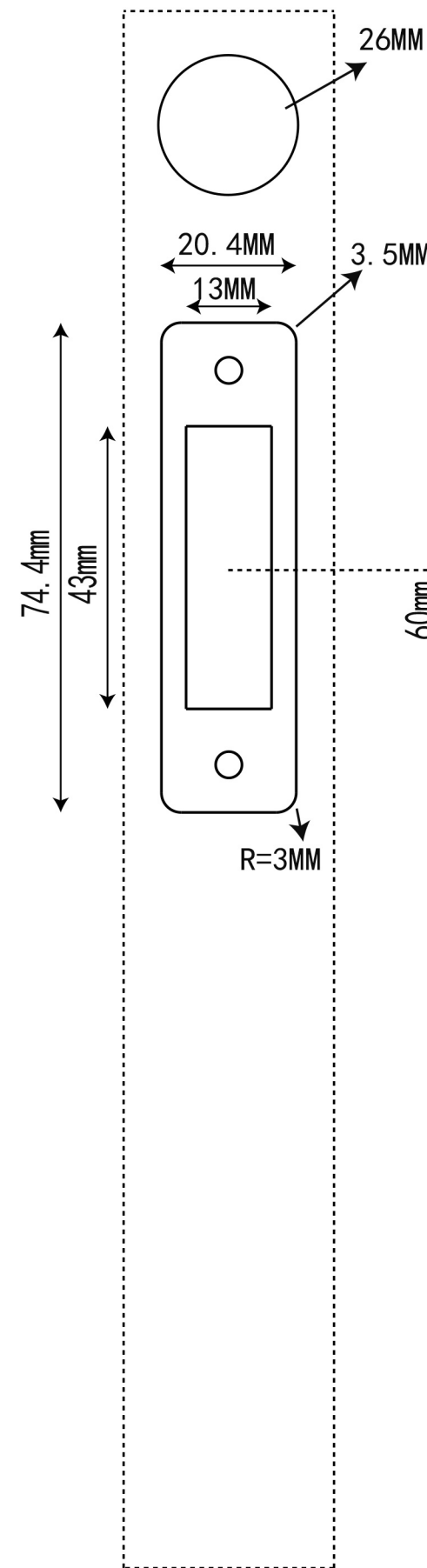


Not to scale

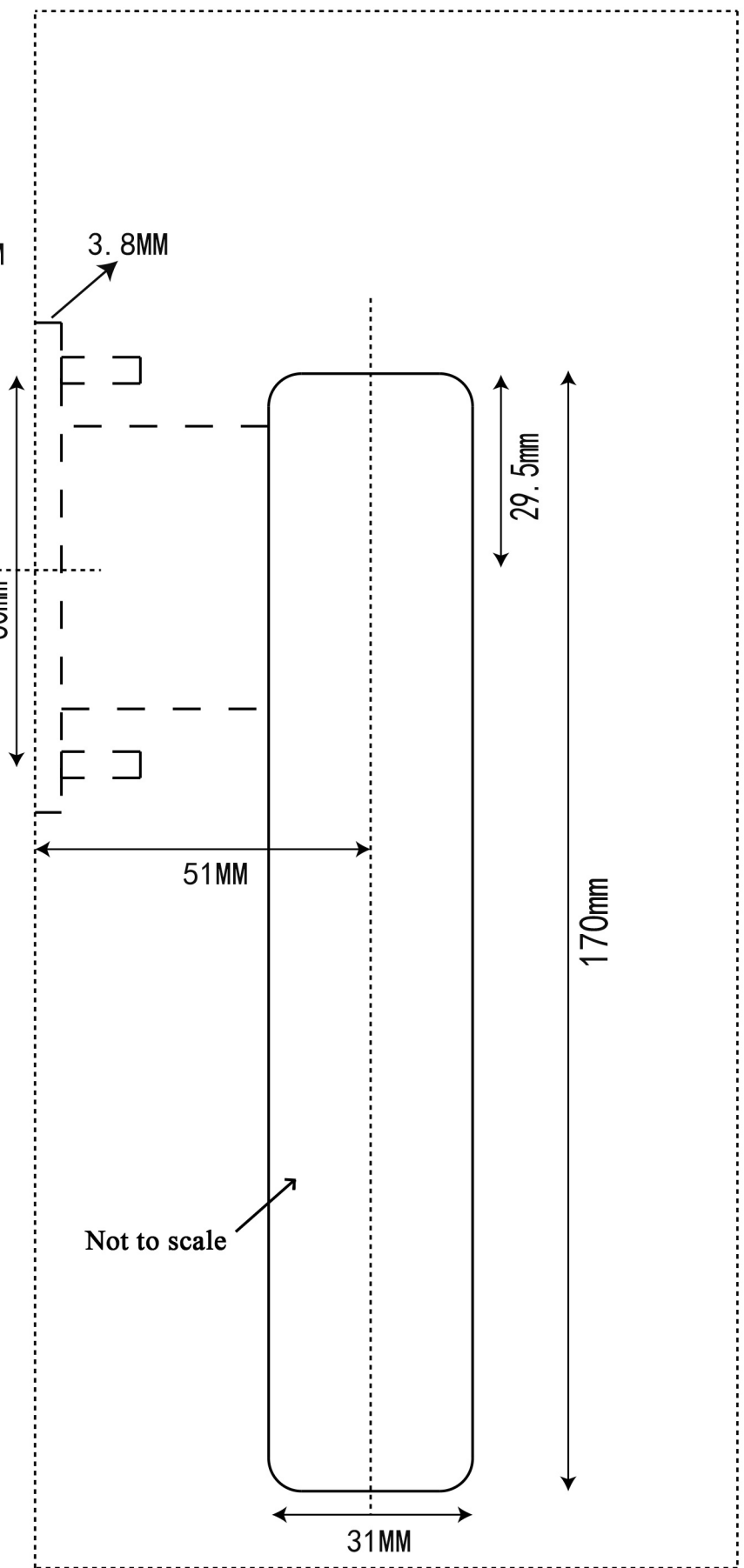


Front dimension of door frame strike plate

Side dimension of door frame strike box



Front dimension of door lock mechanism



Side dimension of door panels

T99 Model install screw:
 16mm*2 (Suit 35mm thickness),
 20mm*2 (Suit 40mm thickness),
 25mm*2 (Suit 45mm thickness),
 Drive bar: 28mm/per one,
 for 35mm door,
 Drive bar: 38mm/per one,
 for 45mm door,