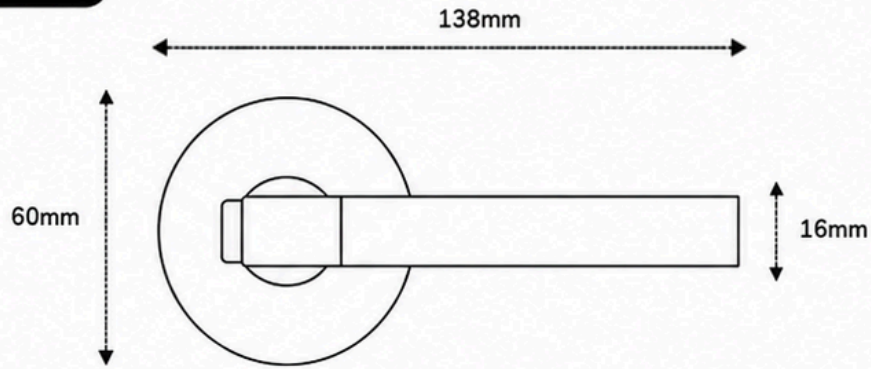


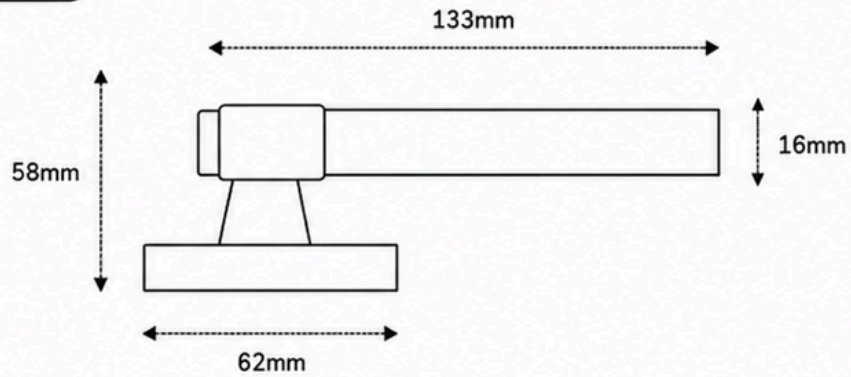
# L33- RUTHERGLEN LEVER

TECHNICAL DRAWINGS

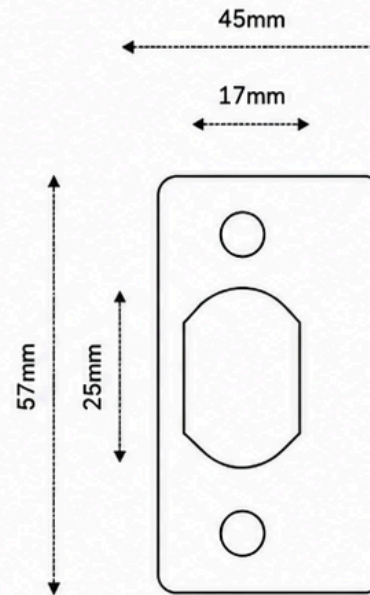
FRONT VIEW



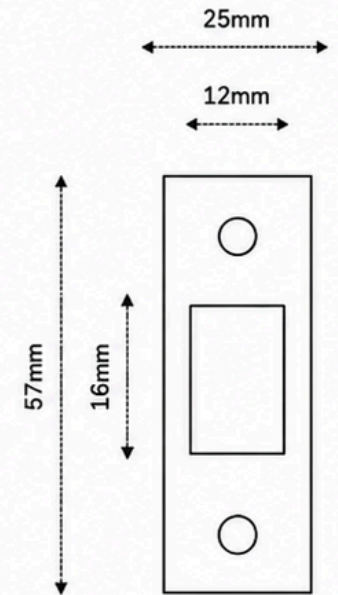
SIDE VIEW



STRIKER PLATE (FRONT VIEW)



LATCH PLATE (FRONT VIEW)



All dimensions are in millimetres (mm)