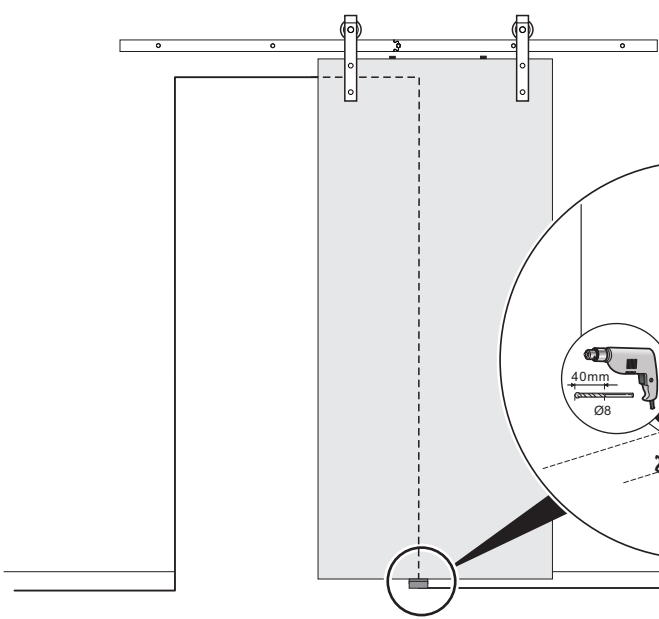
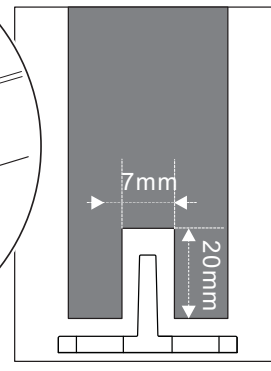


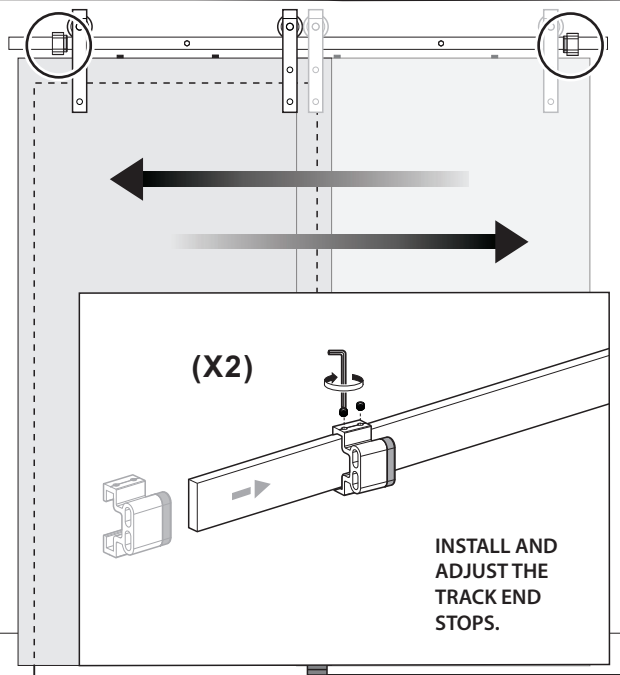
7



CHOOSE WHICH FLOOR GUIDE SET YOU WANT TO INSTALL.
 TO USE THE HIDDEN FLOOR GUIDE, USE A ROUTER TO CUT THE
 OPENING IN THE BOTTOM OF THE DOOR.

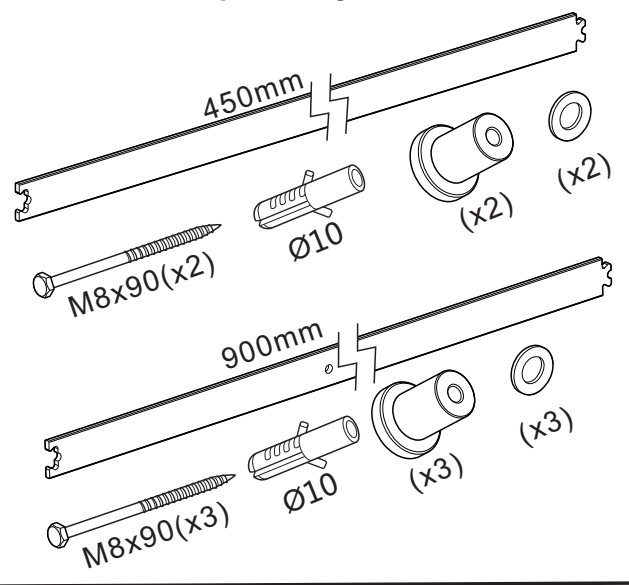


8



9

Optional extension bar 450mm and 900mm
 with screws and standard posts available
Sold separately



10

Optional the adjustable
 black pillar posts with screws
Sold separately

