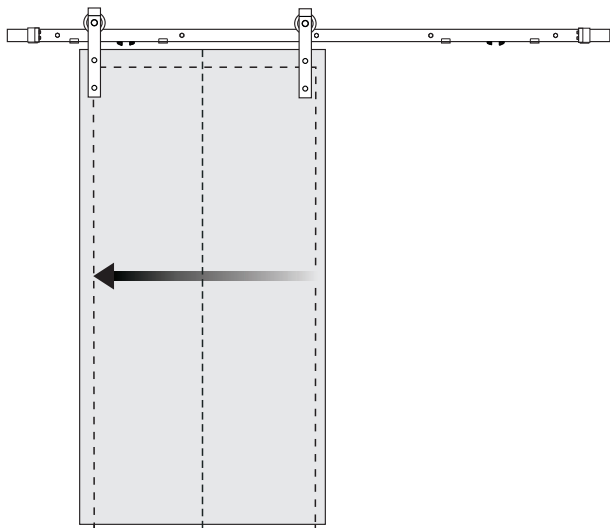




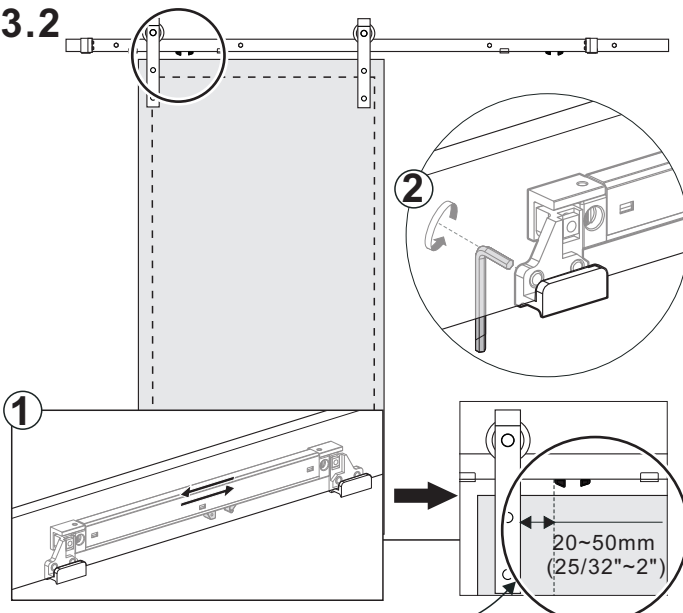
3

3.1



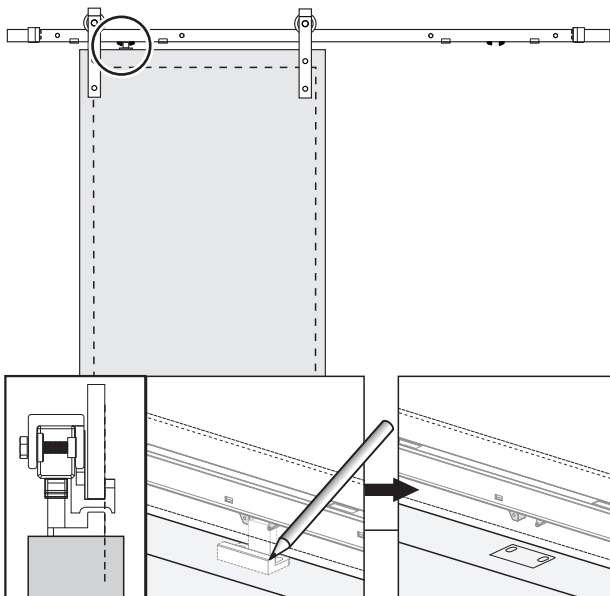
DOOR CENTER  
TO OPENING

3.2

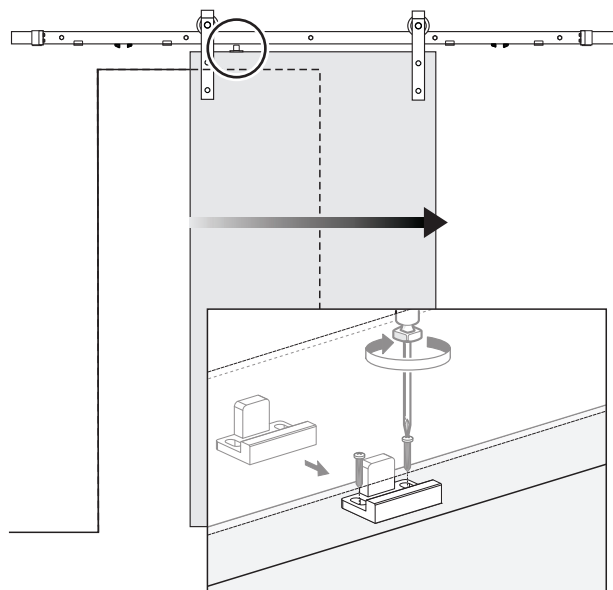


Move the soft close to a proper position and tighten the screw of the connector to the rail completely.

3.3

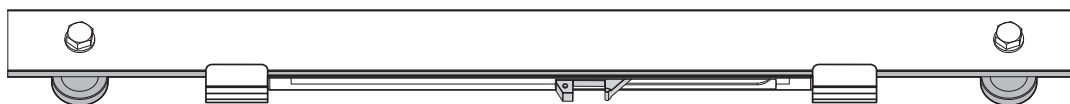


3.4

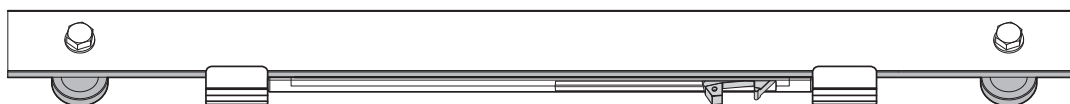


3.5

Left



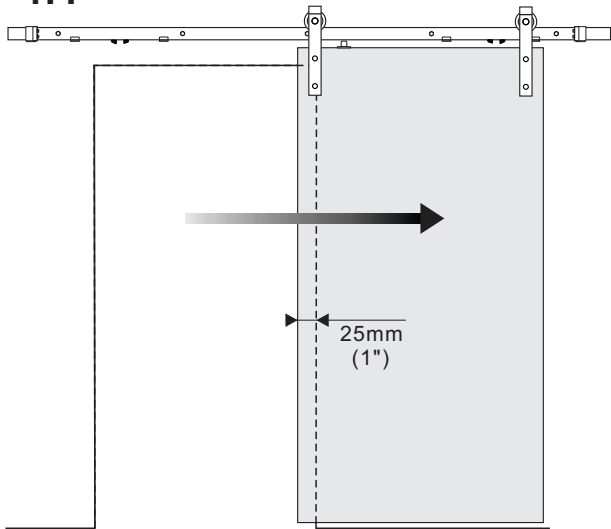
Slider closed



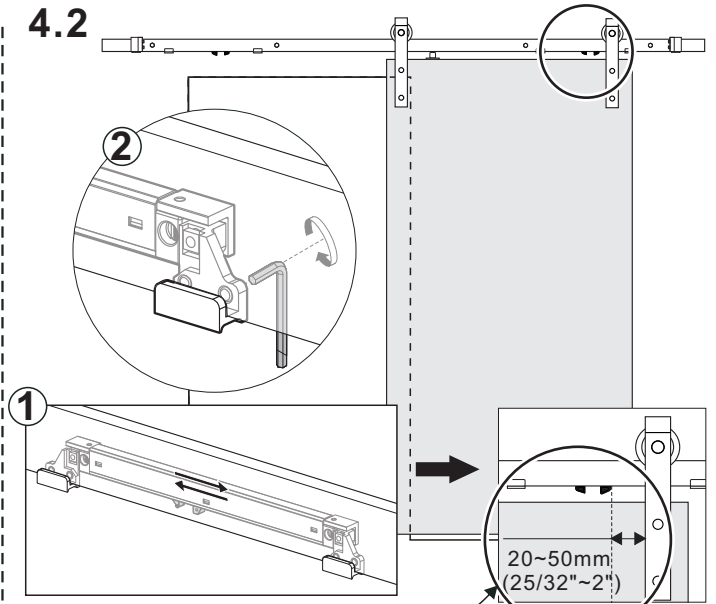
Slider opened

4

4.1

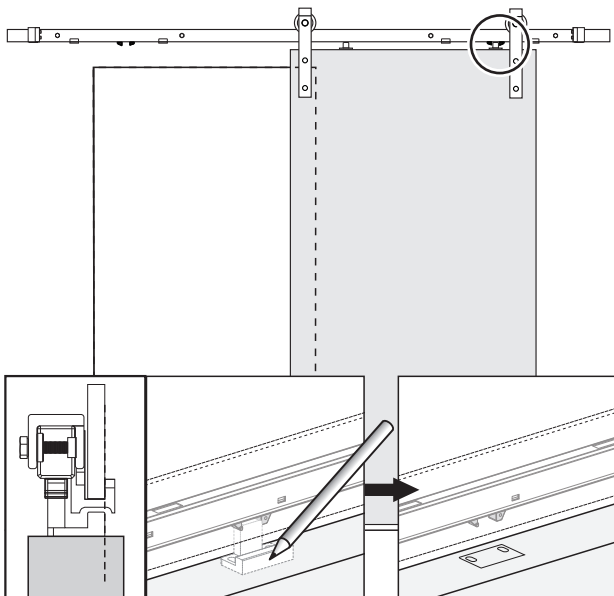


4.2

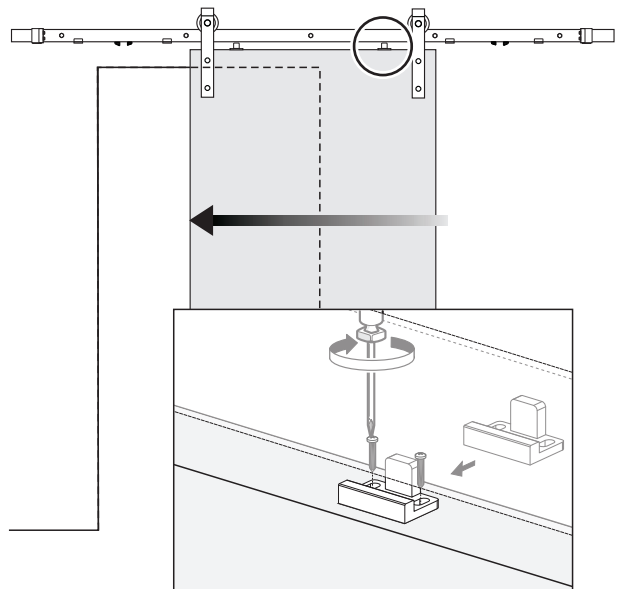


Move the soft closer to a proper position and tighten the screw of the connector to the rail completely.

4.3

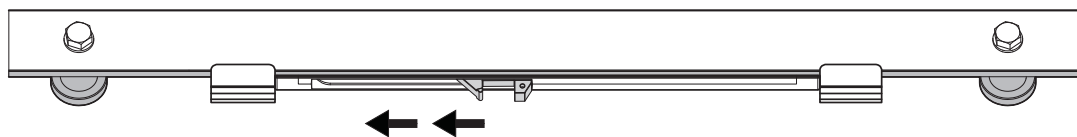


4.4

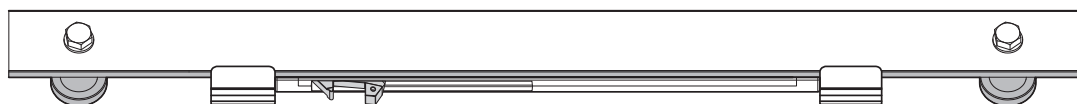


4.5

Right



Slider closed



Slider opened

5

