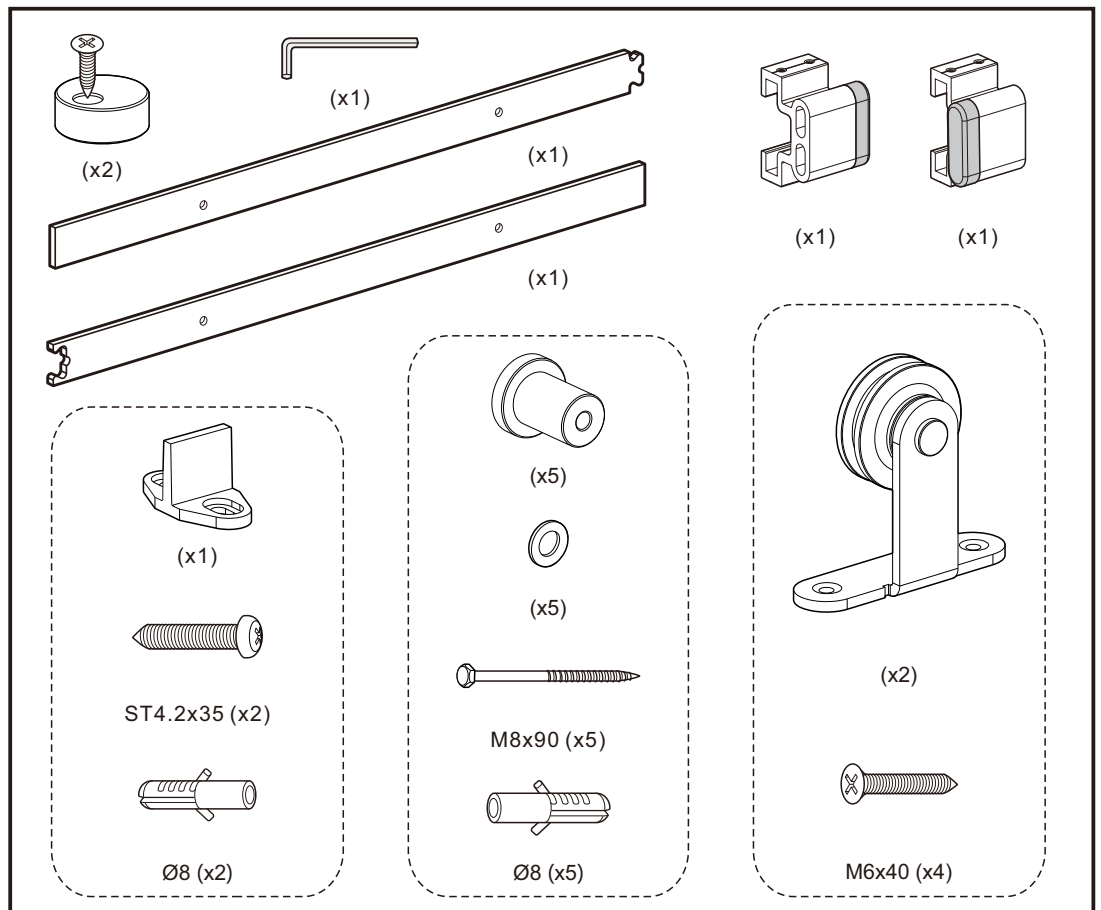
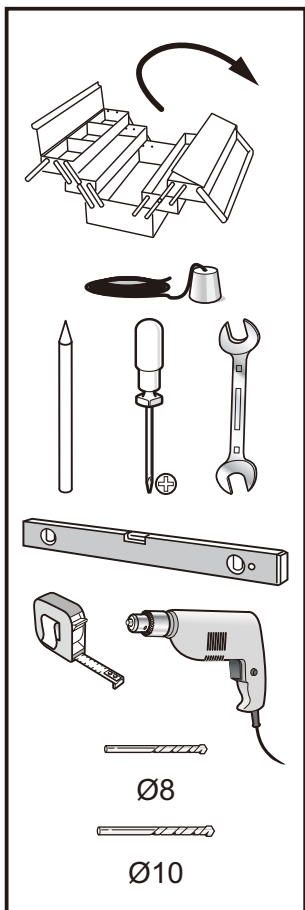
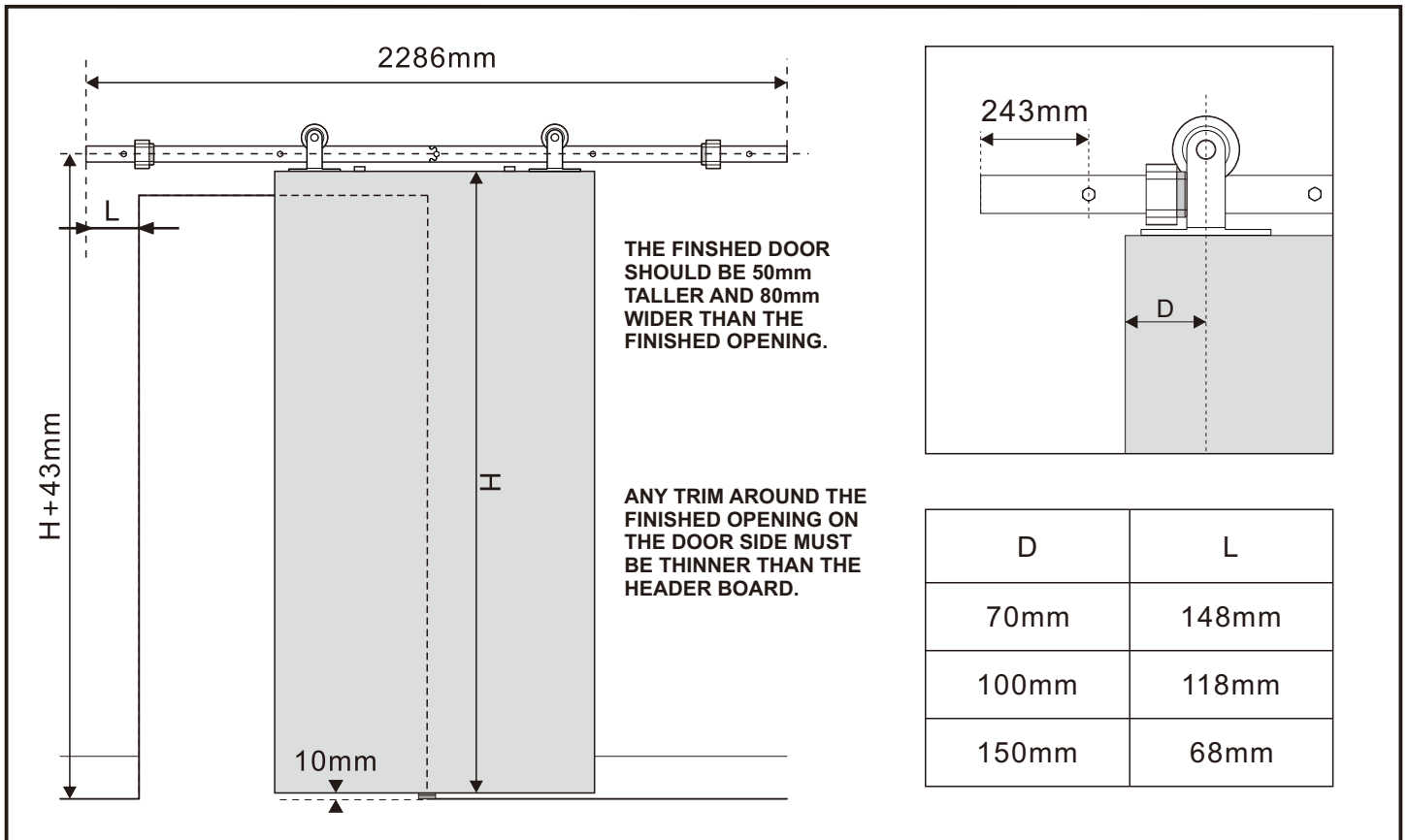
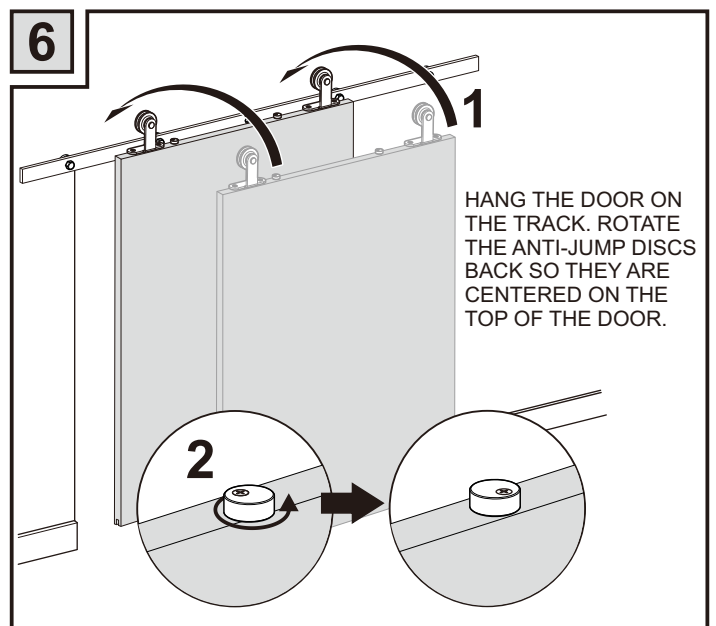
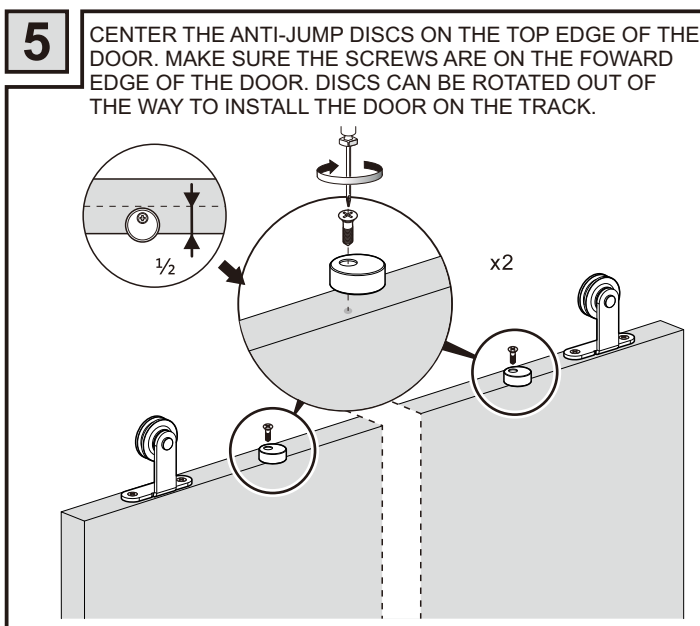
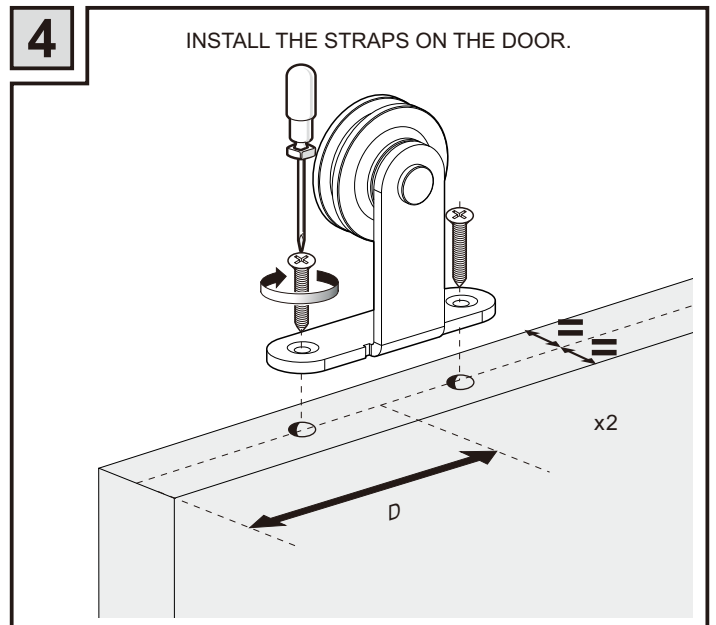
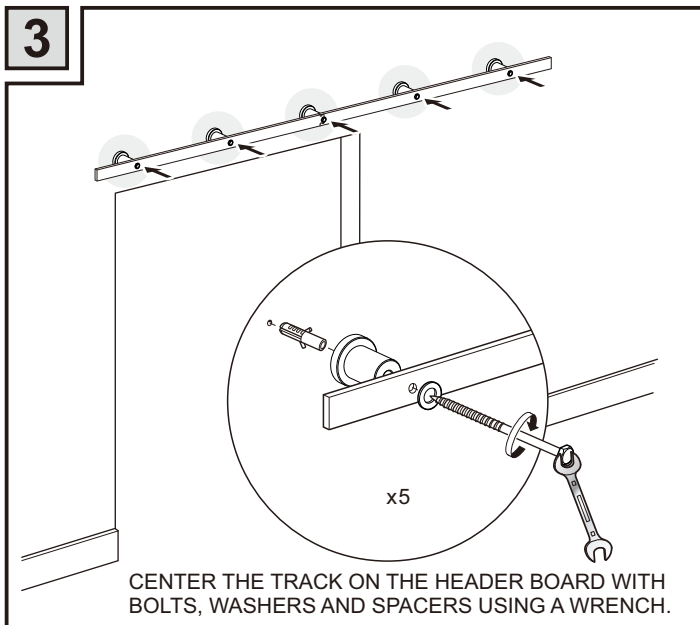
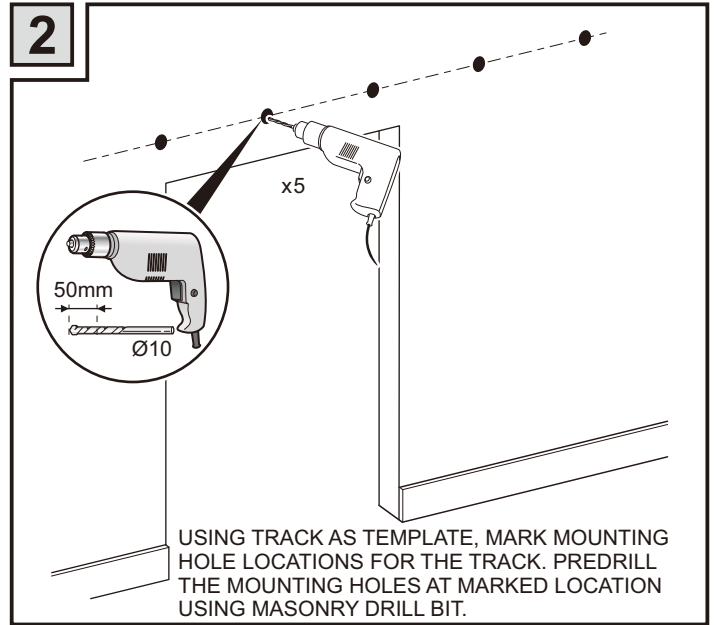
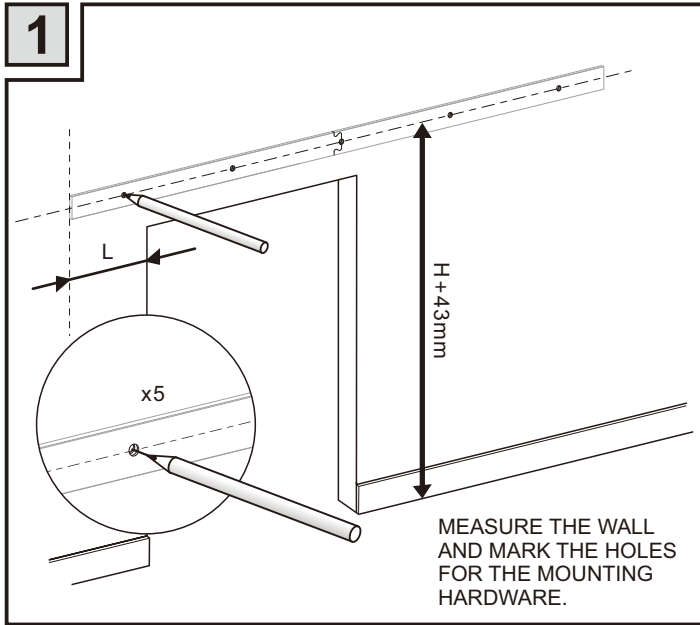
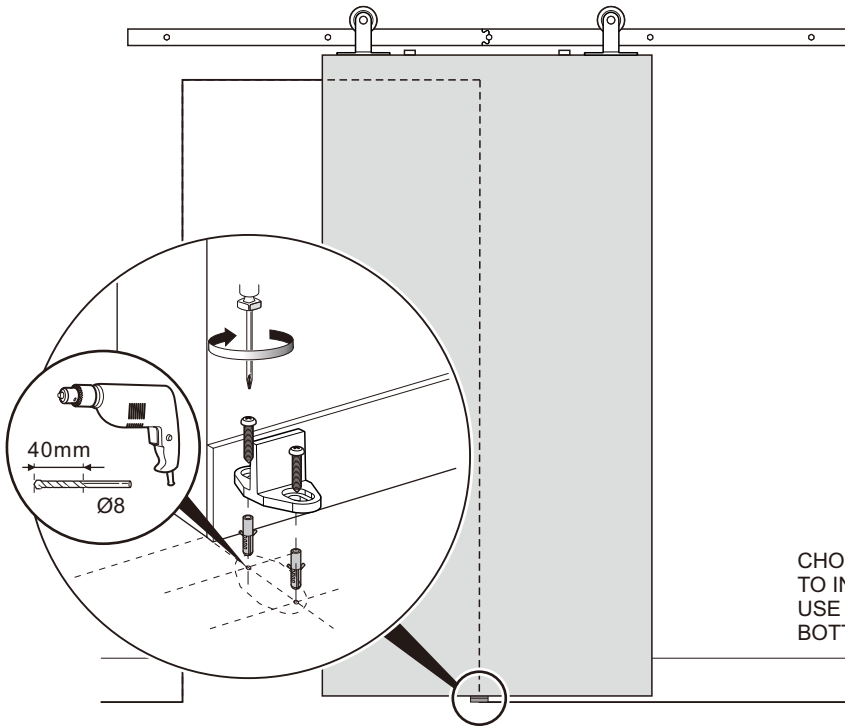


# Installation Manual



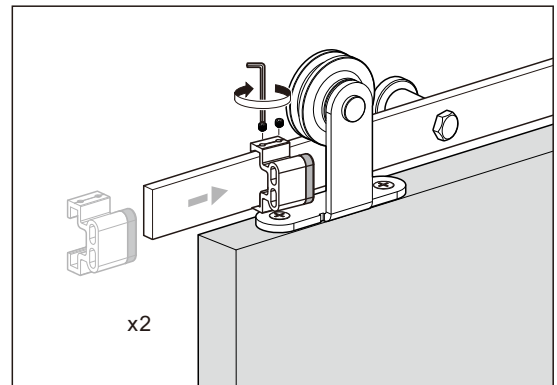
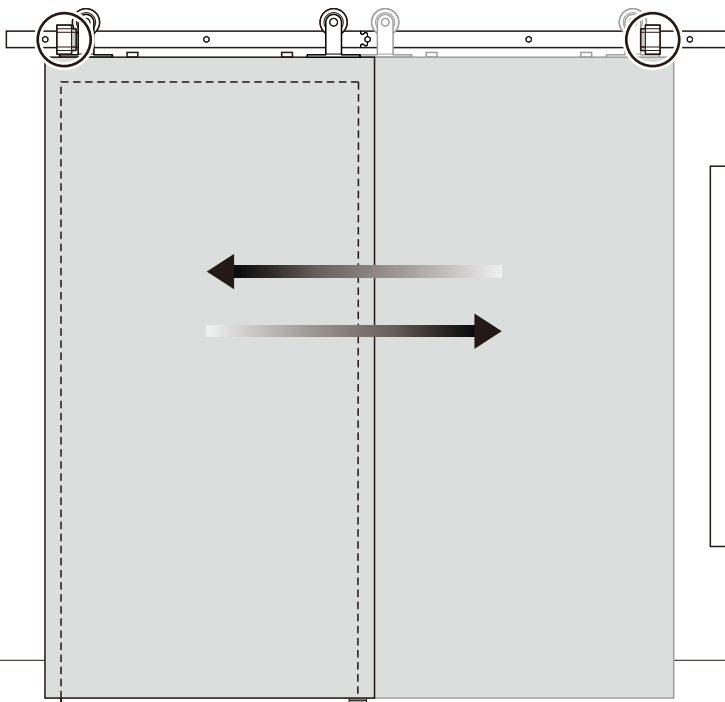


7



CHOOSE WHICH FLOOR GUIDE SET YOU WANT TO INSTALL. TO USE THE HIDDEN FLOOR GUIDE, USE A ROUTER TO CUT THE OPENING IN THE BOTTOM OF THE DOOR.

8



INSTALL AND ADJUST THE TRACK END STOPS.