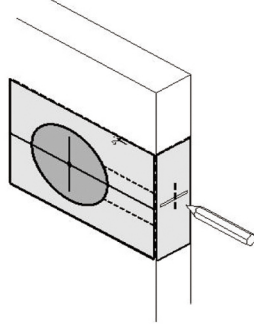


This lever will fit 32mm to 45mm door thickness

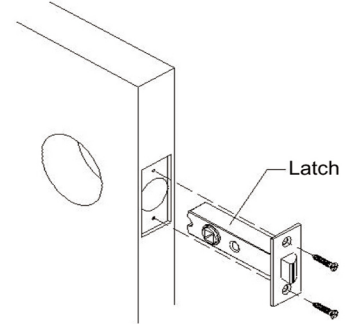
Step 1. Door Preparation

- Fold the supplied template and position template on door edge.
- Mark centre of 54mm hole on both sides of door.
- Mark horizontal centre-line of 25mm hole using template, then mark centre of door thickness.
- Drill 54mm hole through door face, from both sides to avoid splintering.
- Drill 25mm hole into the edge of the door, central to the door thickness. Ensure the hole is drilled squarely.



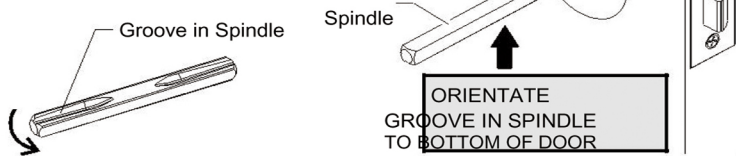
Step 2. Latch Installation

- Insert latch into hole and mark around the face plate.
- Chisel rectangular section to a recess of 2mm or until latch face is flush with door edge.
- Insert latch into hole, ensuring the curve on the latchbolt is positioned towards the direction of door closure.
- Pre-drill and fasten with wood screws provided (#6 x19mm)



Step 3. Spindle Installation

- Orientate spindle so that groove faces the bottom of the door and slide into square opening in latch.
- Position spindle centrally within latch.



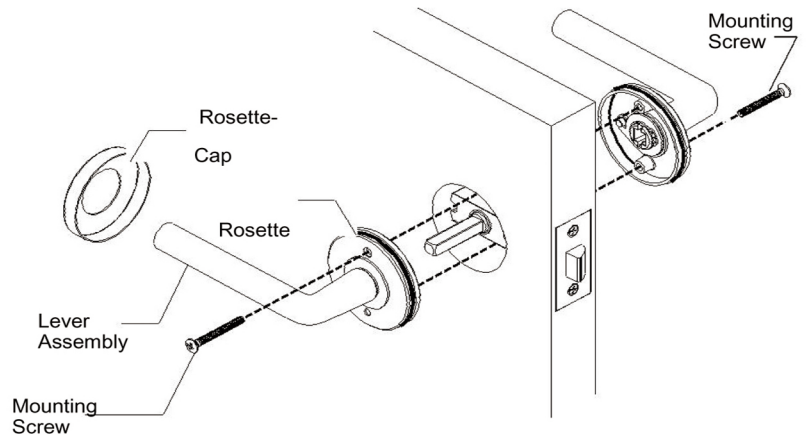
Step 4. Screw Selection

- Measure door thickness and select correct mounting screws as per table below:

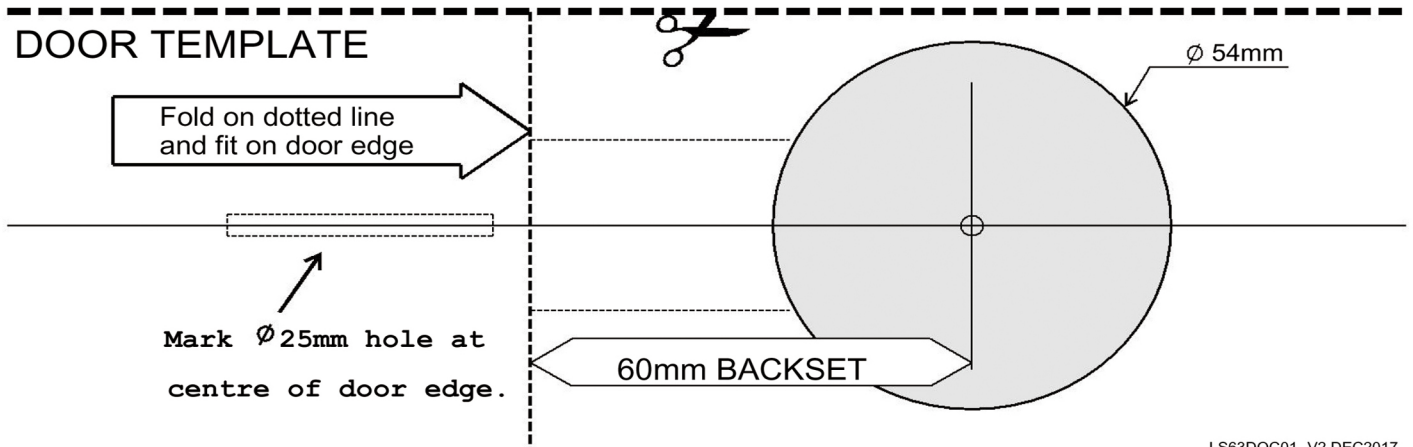
DOOR THICKNESS	MOUNTING SCREW
32 - 38mm	M4 x 25mm LONG
38 - 45mm	M4 x 35mm LONG

Step 5. Lever Installation

- Determine which side of the door each lever assembly will need to be installed to allow both levers to move in a downward direction once installed. (Holes on bottom of levers)
- Remove both Rosette-Caps.
- Place one lever assembly onto the spindle.
- Place the other lever assembly onto the other end of the spindle.
- Fasten both lever assemblies together with mounting screws selected in STEP 4. Install one screw from either side through the countersunk holes. Tighten both screws.

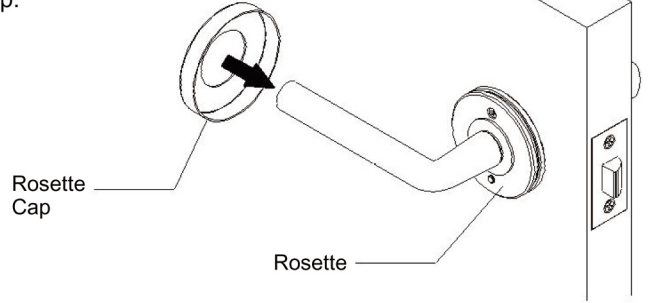


DOOR TEMPLATE



Step 6. Rosette-Cap Installation

- Push Rosette-Cap onto the interior rosette until the cap is flush with the door face.
- Repeat for exterior Rosette-Cap.



Step 7. Strike Plate Installation

- Gently close the door until latchbolt rests on door jamb. Mark centre of latchbolt on door jamb, this mark can be used to position strike plate.
- Mark and drill 25mm hole inside the jamb to a depth of 12mm .
- Position the strike plate and mark around. Chisel recess until strike plate sits flush with jamb face.
- Fasten the 2 wood screw (#6x19mm) supplied.

