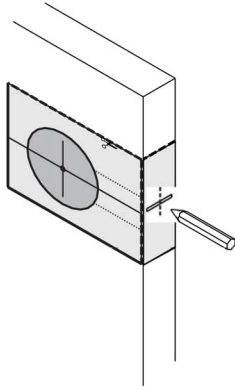


This lever will fit 32mm to 45mm door thickness

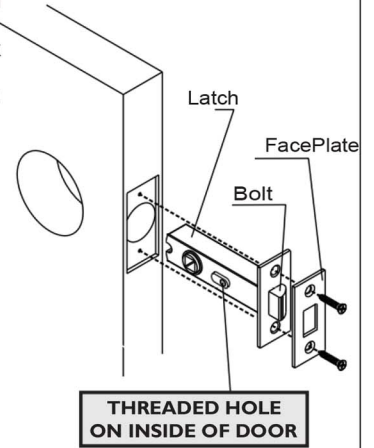
Step 1. Door Preparation

- ✓ Fold the supplied template and position template on door edge.
- ✓ Mark centre of 54mm hole on both sides of door.
- ✓ Mark horizontal centre-line of 25mm hole using template, then mark centre of door thickness.
- ✓ Drill 54mm hole through door face, from both sides to avoid splintering.
- ✓ Drill 25mm hole into the edge of the door, central to the door thickness. Ensure the hole is drilled squarely.



Step 2. Latch Installation

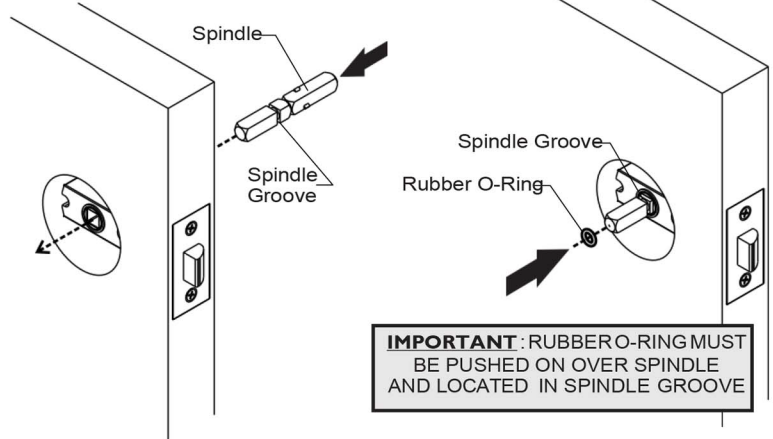
- ✓ Insert latch into hole and mark around the face plate.
- ✓ Chisel rectangular section to a recess of 4mm or until latch face is flush with door edge.
- ✓ Insert latch into hole, ensuring the threaded hole is on the inside of the door.
- ✓ Also ensure the curve on the latchbolt is positioned towards the direction of door closure. Bolt can be pulled out of latch and rotated 180degrees if required to re-orientate.
- ✓ Position faceplate over bolt
- ✓ Pre-drill and fasten latch and faceplate to door with wood screws provided (#6 x19mm)



THREADED HOLE ON INSIDE OF DOOR

Step 3. Spindle Installation

- ✓ Install Spindle into square opening in latch.
- ✓ Push Rubber O-Ring over spindle and locate in groove on spindle. This step is very important.
- ✓ **If latch is removed for painting or maintenance, the Rubber O-Ring MUST be re-installed.**



IMPORTANT: RUBBER O-RING MUST BE PUSHED ON OVER SPINDLE AND LOCATED IN SPINDLE GROOVE

Step 4. Screw Selection

- ✓ Measure door thickness and select correct mounting screws as per table :

DOOR THICKNESS	MOUNTING SCREW
32 - 38mm	M4 x 25mm LONG
38 - 45mm	M4 x 35mm LONG

DOOR TEMPLATE

Fold on dotted line and fit on door edge

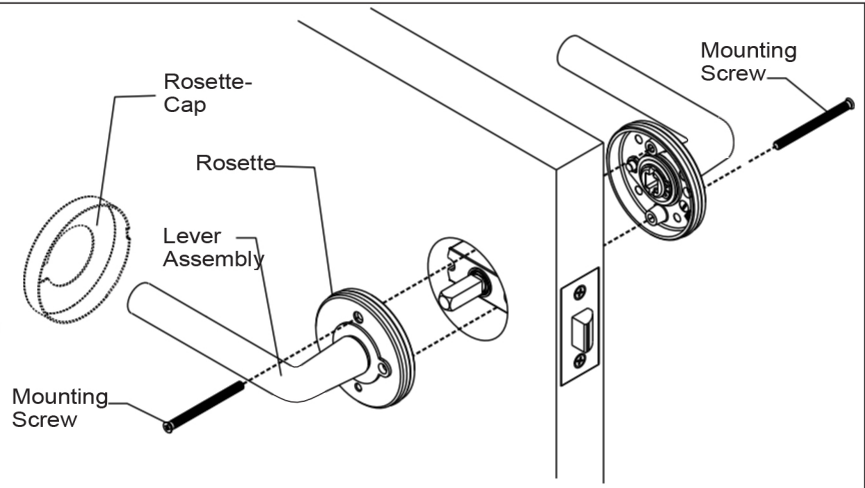
Mark $\phi 25$ mm hole at centre of door edge.

60mm BACKSET

$\phi 54$ mm

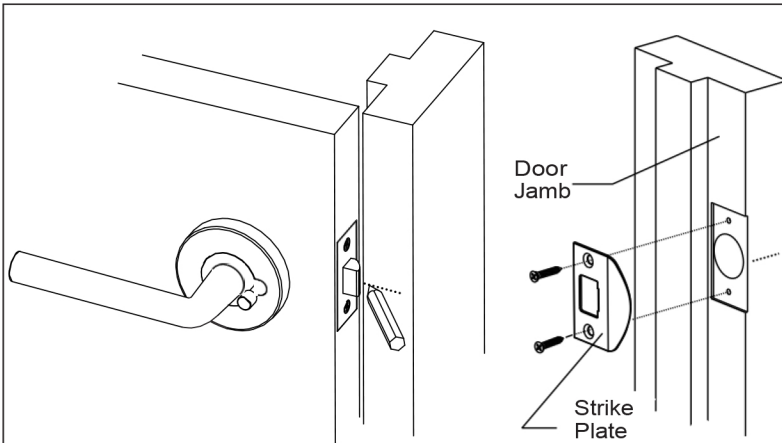
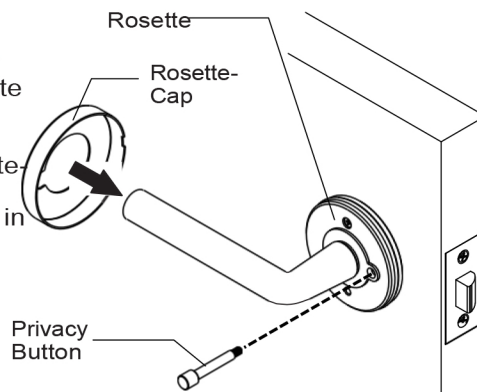
Step 5. Lever Installation

- ✓ Determine which side of the door each lever assembly will need to be installed to allow both levers to move in a downward direction once installed. (Holes on bottom of levers)
- ✓ Remove both Rosette-Caps.
- ✓ Place one lever assembly onto the spindle.
- ✓ Place the other lever assembly onto the other end of the spindle.
- ✓ Fasten both lever assemblies together with mounting screws selected in STEP 4. Install one screw from either side through the countersunk holes. Tighten both screws.



Step 6. Rosette-Cap Installation

- ✓ Push Rosette-Cap onto interior rosette, until the cap is flush with the door face. Ensure hole in rosette cap aligns with profile in rosette.
- ✓ Repeat for exterior Rosette-Cap.
- ✓ Screw the privacy button in through hole on interior Rosette and tighten.



Step 7. Strike Plate Installation

- ✓ Gently close the door until latchbolt rests on door jamb. Mark centre of latchbolt on door jamb, this mark can be used to position strike plate.
- ✓ Mark and drill 25mm hole inside the jamb to a depth of 12mm .
- ✓ Position the strike plate and mark around. Chisel recess until strike plate sits flush with jamb face.
- ✓ Fasten the 2 wood screw (#6x19mm) supplied.

