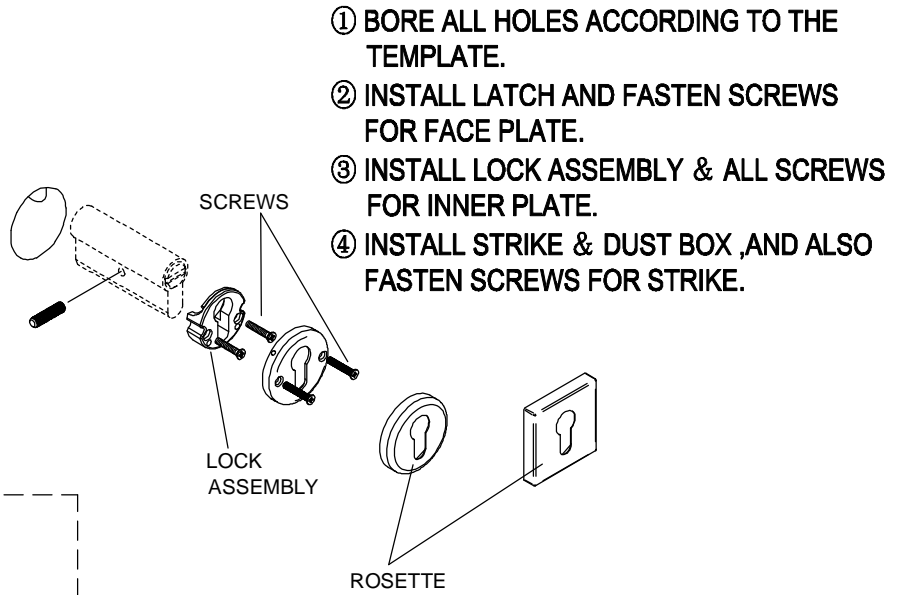
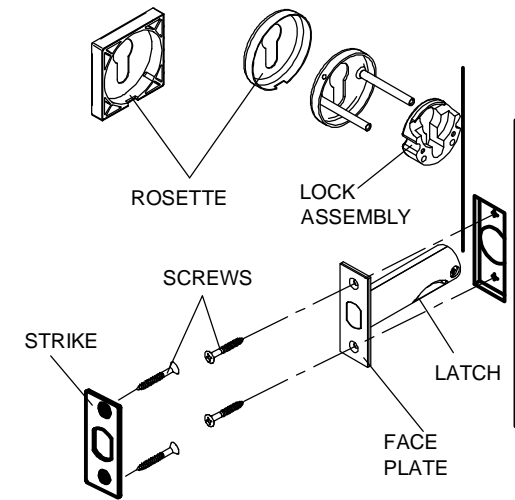
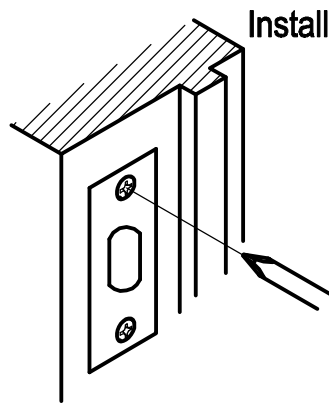
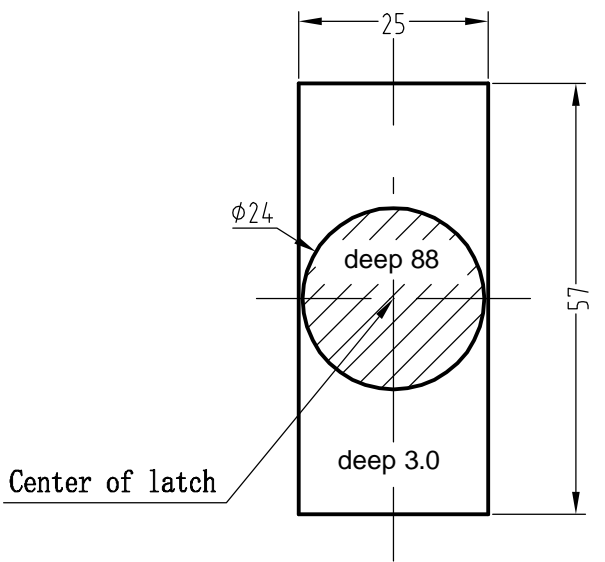


# DL687-45mm-SN INSTALLATION INSTRUCTIONS

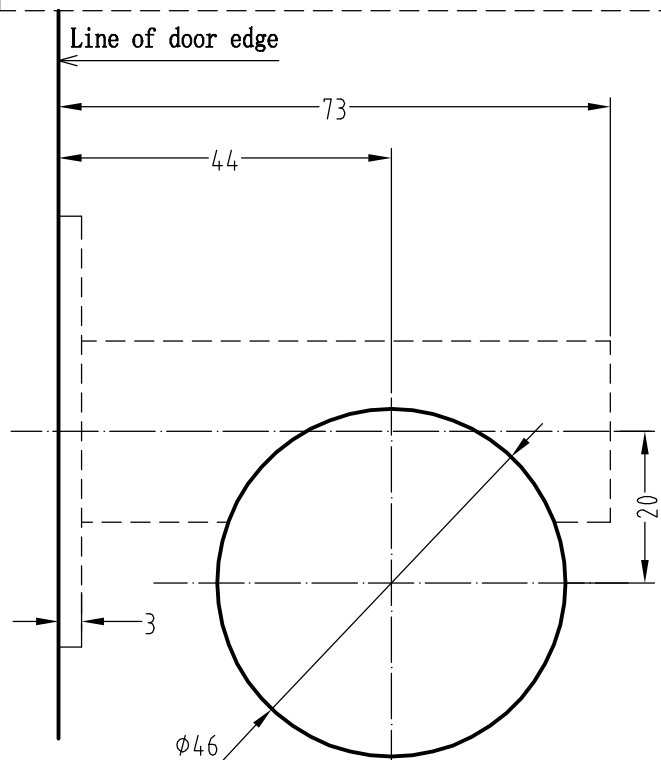
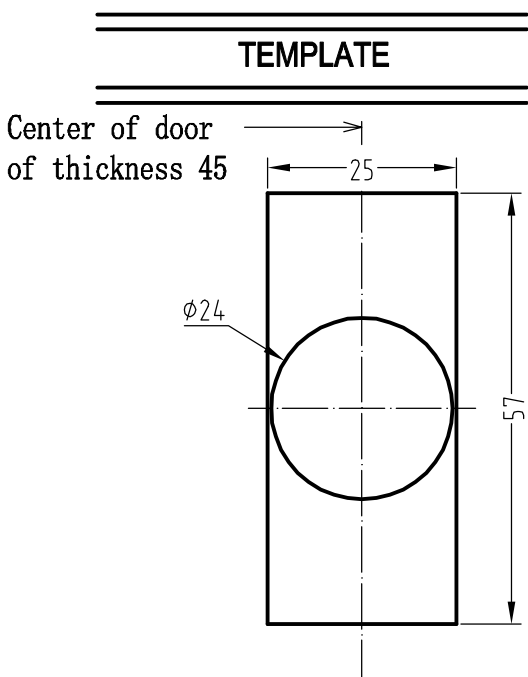


- ① BORE ALL HOLES ACCORDING TO THE TEMPLATE.
- ② INSTALL LATCH AND FASTEN SCREWS FOR FACE PLATE.
- ③ INSTALL LOCK ASSEMBLY & ALL SCREWS FOR INNER PLATE.
- ④ INSTALL STRIKE & DUST BOX ,AND ALSO FASTEN SCREWS FOR STRIKE.

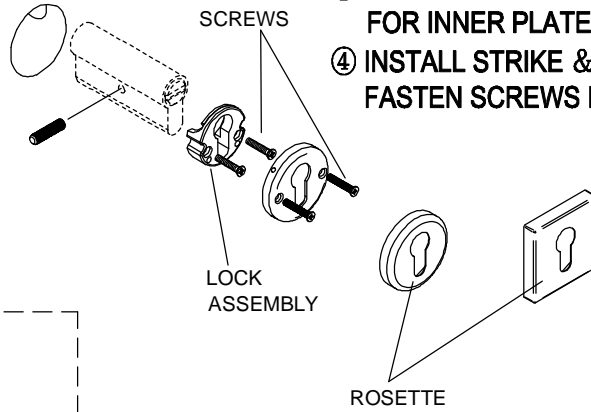
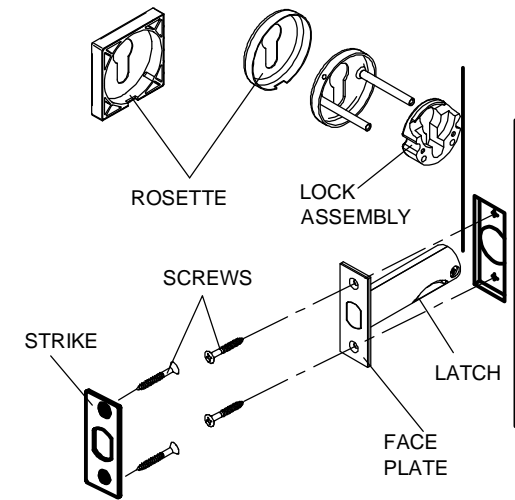


## Installation and adjustment of dust box

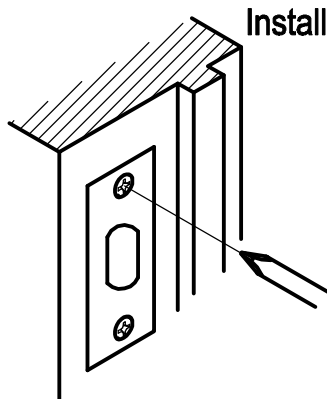
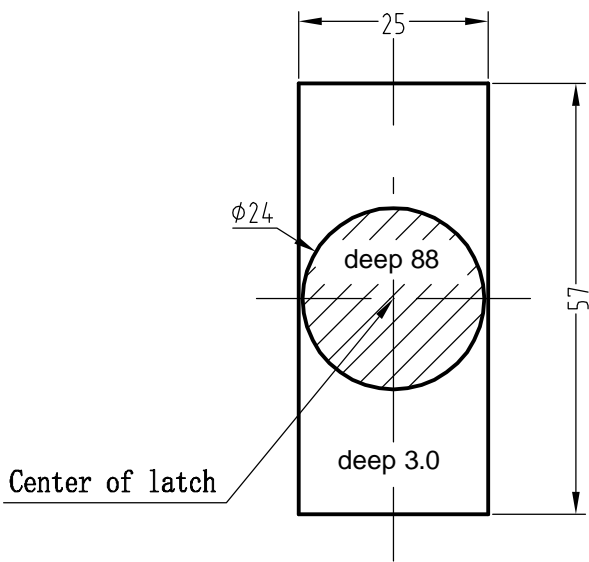
- ① Carefully swing door to closed position. Mark exact center point where latch meets the doorframe.
- ② Determine door thickness. Use template to mark correct center points for door thickness.
- ③ Align template chisel guide into doorframe with utility knife.
- ④ Secure dust box and strikeplate into position with screws.



# DL687-60mm-SN INSTALLATION INSTRUCTIONS



- ① BORE ALL HOLES ACCORDING TO THE TEMPLATE.
- ② INSTALL LATCH AND FASTEN SCREWS FOR FACE PLATE.
- ③ INSTALL LOCK ASSEMBLY & ALL SCREWS FOR INNER PLATE.
- ④ INSTALL STRIKE & DUST BOX ,AND ALSO FASTEN SCREWS FOR STRIKE.



## Installation and adjustment of dust box

- ① Carefully swing door to closed position. Mark exact center point where latch meets the doorframe.
- ② Determine door thickness. Use template to mark correct center points for door thickness.
- ③ Align template chisel guide into doorframe with utility knife.
- ④ Secure dust box and strikeplate into position with screws.

