

C81- Ring Finger Pull Handle



Product Description

C81 - Round Ring Pull with Rectangle Back Plate. Ideal for bi-fold doors or doors that you do not want anything with a large projection.

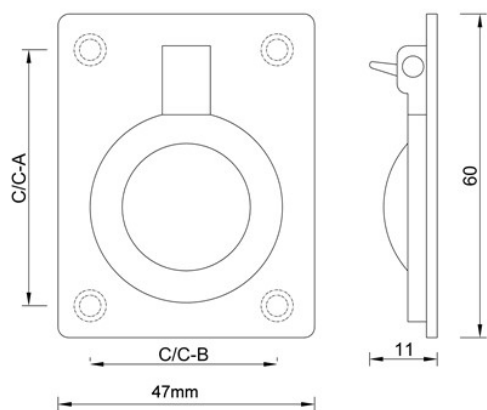
Size Available: 47mm Length x 60mm Height

Ring Pull Available in White / Satin Nickel / Black

Product Attributes

- Finish: All Finishes, Black, Satin Nickel, White
- Style: Contemporary, Modern, Transitional
- Size: 47mm x 60mm

Product Gallery



Code	Height	Width	C/C-A	C/C-B	Depth
C81-SN	60mm	11mm	48mm	36mm	11mm
C81-BL	60mm	11mm	48mm	36mm	11mm
C81-WH	60mm	11mm	48mm	36mm	11mm

